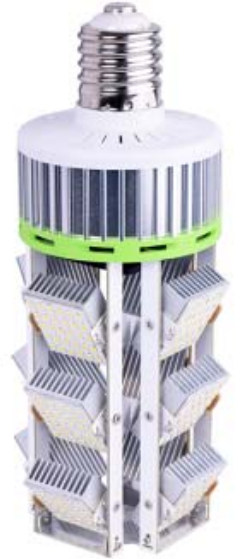
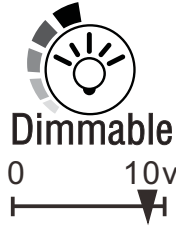


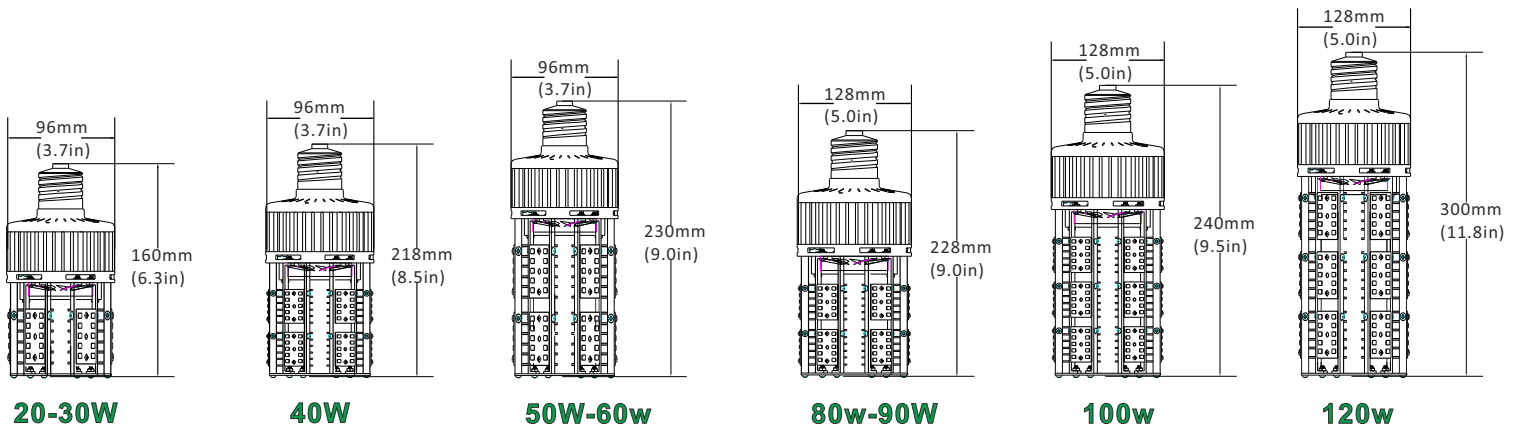
LED Adjustable Corn Bulb

CL-

This LED bulb is tailored to replace MH,HPS,HID,CFL lamp etc., for all outdoor and indoor fixture (no matter the base is up or down).



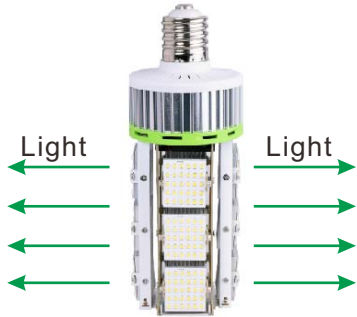
Dimension



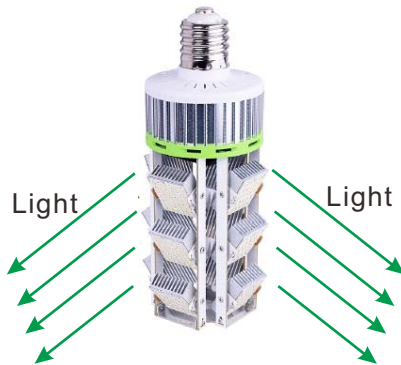
Applications

While use the lamp for Vertical installation, you can adjust any beam angle that you need.

Section I:



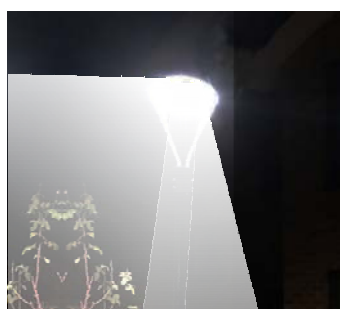
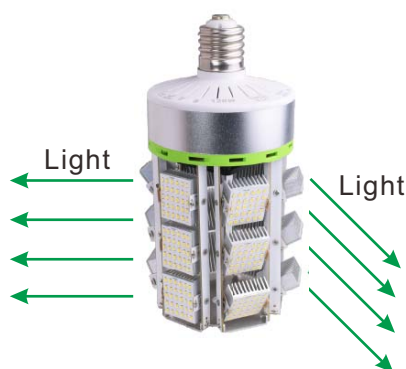
Section II [Base up]:



Section III [Base down]:



Section IV [House and Road side]:



Specification data

Item No.	Watts	Dimension	Luminous Flux (125lm/w)	Luminous Flux (150lm/w)	Replacement	CRI
CL-20W	20W	Φ 96*160mm	26,00lm	3,000lm	40-75w CFL, HID	Ra>83
CL-30W	30W		38,00lm	4,500lm	75-105w MH, HPS	Ra>83
CL-40W	40W	Φ 96*218mm	5,100lm	6,000lm	125-150w MH, HPS	Ra>83
CL-50W	50W	Φ 96*230mm	6,200lm	7,500lm	175-225w MH, HPS	Ra>83
CL-60W	60W		75,00lm	9,000lm	225-250w MH, HPS	Ra>83
CL-80W	80W	Φ 128*228mm	10,400lm	12,000lm	250-300w MH, HPS	Ra>83
CL-90W	90W		11,250lm	13,500lm	250-300w MH, HPS	Ra>83
CL-100W	100W	Φ 128*240mm	13,000lm	15,000lm	300-350w MH, HPS	Ra>83
CL-120W	120W	Φ 128*300mm	15,600lm	18,000lm	350-400w MH, HPS	Ra>83

- 125lm/w or 150lm/w
- Universal AC input 100-277V_{vac} or 100-347V_{vac} or 200-480V_{vac}. PF>0.95.
- Dimmable(Optional): 0-10V
- Color temperature: 2200K, 2700K, 3000k, 4000k, 4500k, 5000k, 5700k, 6500k
Amber, Red, Green, Blue.
- Life time: >50,000 hours
- Warranty: 5 years factory warranty

LED Power Supply



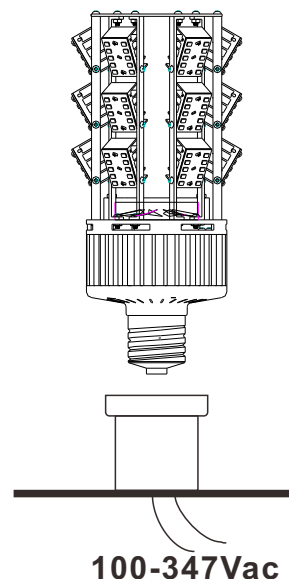
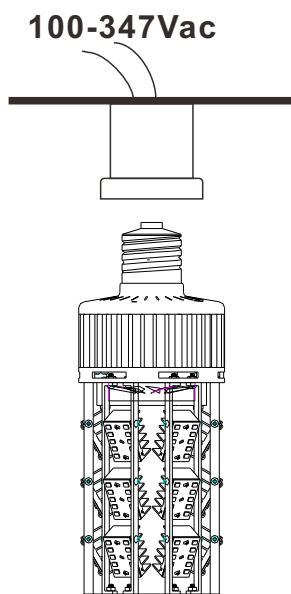
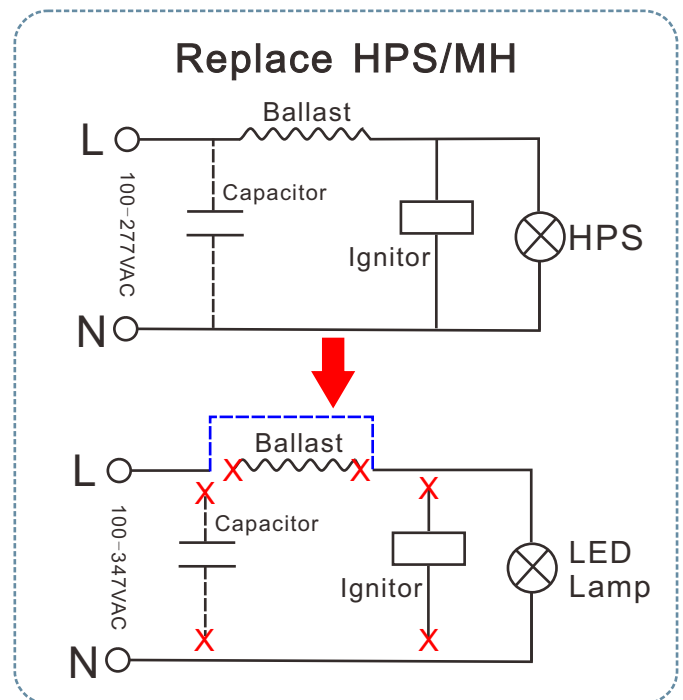
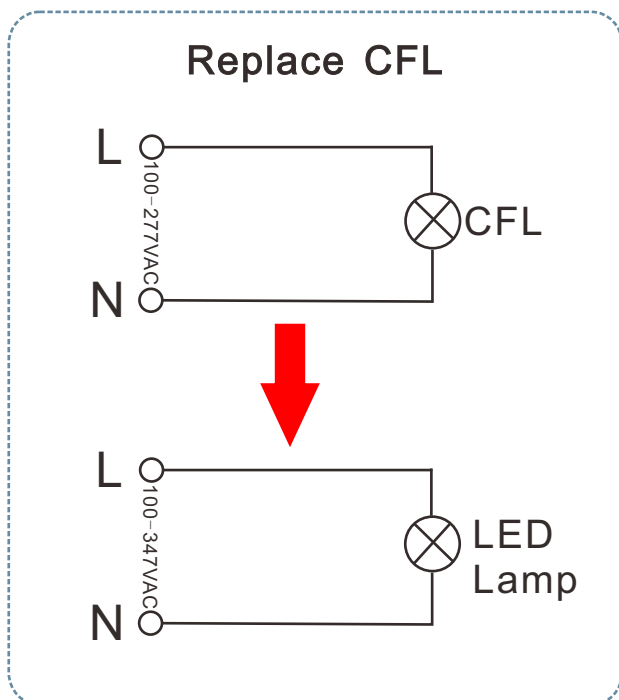
Potting of Smidakh
Better for heat dissipation
mothproof, moisture proof

Aluminum shell
Better for heat dissipation

Thermal Dimming
When the temperature reaches 90°C,
lamp power is reduced ,to ensure key
components including the LEDs are
not overheated.

Installation

1. Turn off the Power.
2. Carefully remove the existing Lamp bulb.
3. Disconnecting the input and output leads of the Ballast, and remove the ballast. Please refer to below the schematic diagram.
4. Inset the LED bulb to the E39/E26 base, Adjust the LED module angle and position so that it provides the best lighting.
5. Connecting the input leads of socket to the supply wires carefully.
6. Double check the Input wires of socket, and make sure all connections are correct.
7. Turn on the Power.



Please remove any ballast or capacitor parts before doing the retrofit.