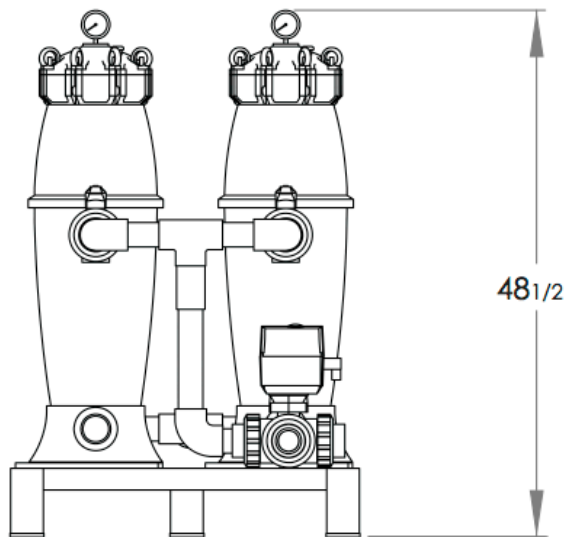
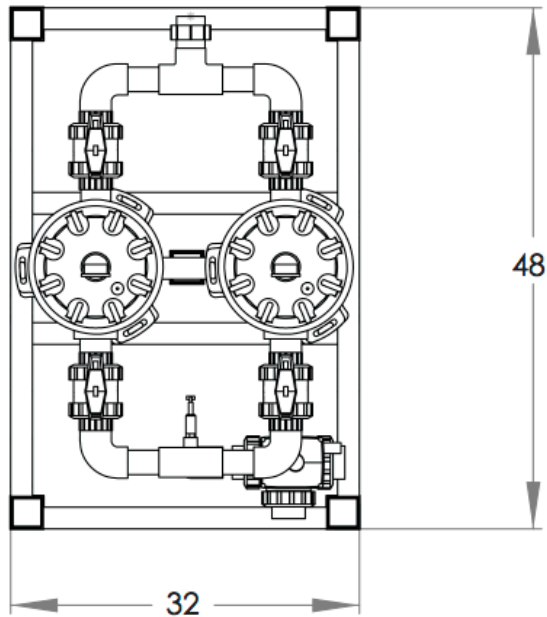


Greyster **Data Sheet: CGW Filter Station**

Water Systems



FEATURES:

- Two robust glass-reinforced polypropylene housings
- Durable aluminum support
- Four 2" manual valves
- 3-way actuated filter bypass valve
- Pressure sensor
- Two pressure indicators
- Pressure release buttons
- Swing-bolt lid closure

Maximum Flow (GPM)	Maximum Pressure (PSI)	Greywater Inlet (Inch)	Greywater Outlet (Inch)	By-Pass Outlet (Inch)	Station Length	Station Width	Station Height	Filter (Microns)
150	125	2"	2"	2"	48" (12 cm)	32" (81.25 cm)	48 1/2" (123 cm)	100

The content of this Data Sheet is based upon the latest information available at the time of printing and is aimed at providing a general introduction to Greyster Systems Inc. products. No warranty or representation is hereby made by Greyster Systems Inc. as to the accuracy of said information. Greyster Systems Inc. is continually updating and improving its products and reserves the right to amend, discontinue, alter or change specifications and prices without prior notice.