

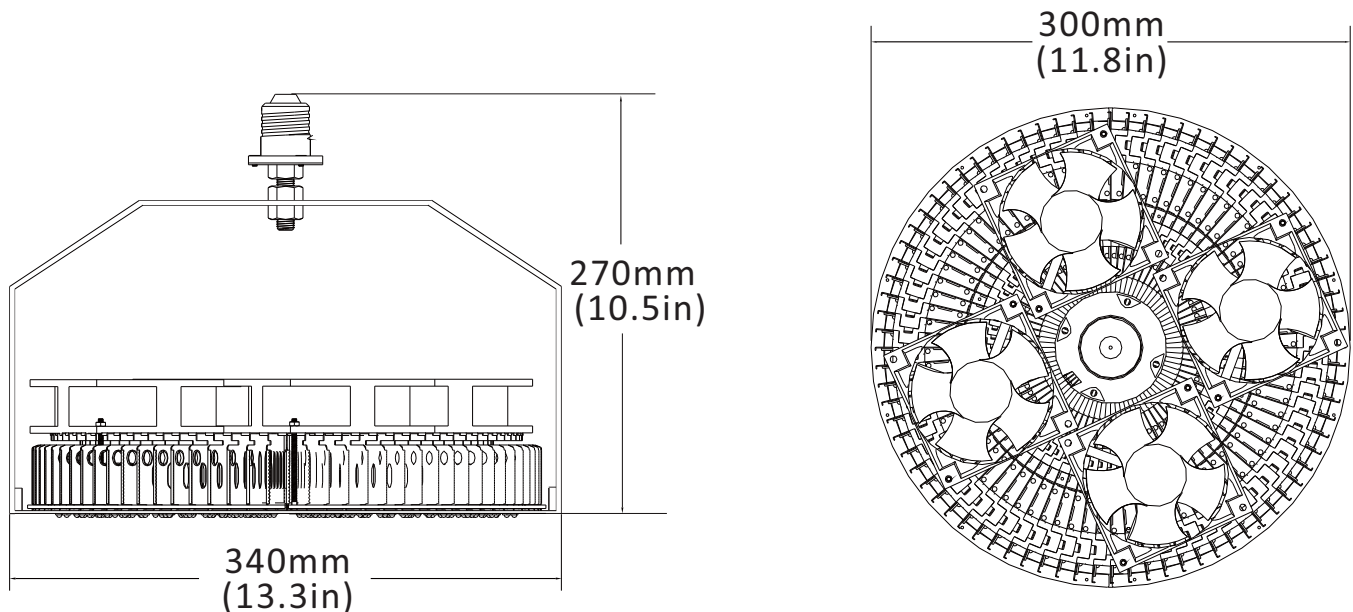
E39/E26 LED Retrofit Kit

RK-

This LED Retrofit Kit is tailored to replace MH,HPS,HID lamp etc., for street lighting,high mast lighting, parking lot pole fixture.



Dimension



Why us?



Our LED Retrofit kit , by improving the heat sink thermal function and the driver performane, we can save more energy with reliable quality.

Would you like to save more money



From our 5 years experience, many clients has problem with these Retrofit kit in the current market, most failures can be bolt down to heat problem or driver problem. However, we are making the change to improve. It's credit!



Temperature control protection

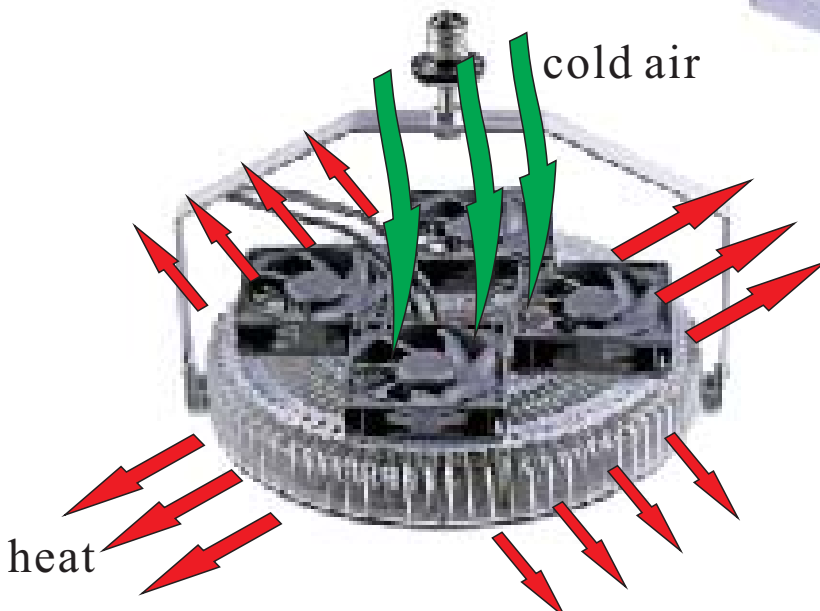
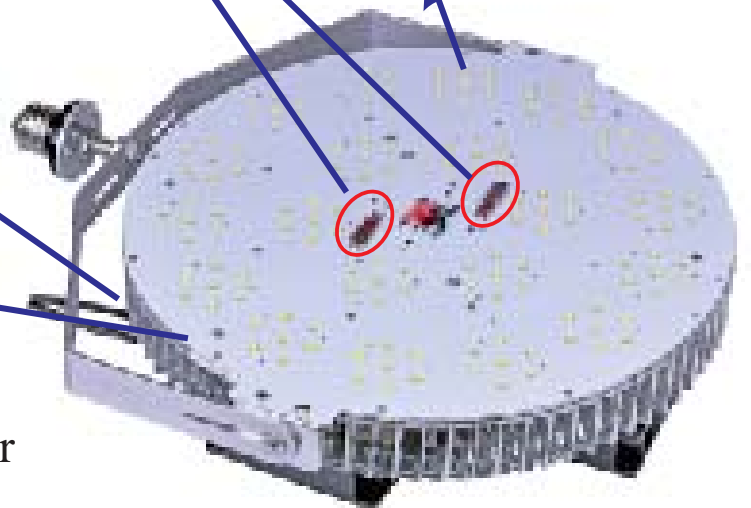
Cree LED

Fins Aluminum heat sinks

Heat transfer coefficient 250W/m.K
Lighter weight, Larger cooling area.

Aluminum copper clad laminates

high thermal conductivity--- 2. 0



Specification data

Item No.	Rated Power	Input Voltage	Power Factor	Replacement	Luminous Flux	CRI
RK-300W	300W	100-277VAC	PF>0.95	900-1200W HID, CFL	39,000lm	Ra>83
RK-300WHV	300W	200-480VAC	PF>0.95	900-1200W HID, CFL	39,000lm	Ra>83
RK-350W	350W	100-277VAC	PF>0.95	1000-1500W HID, CFL	45,000lm	Ra>83
RK-350WHV	350W	200-480VAC	PF>0.95	1000-1500W HID, CFL	45,000lm	Ra>83

- Color temperature: 3000k, 4000k, 4500k, 5000k, 5700k, 6500k
- Life time: >50,000 hours
- Warranty: 5 years factory warranty



Applications

This LED kit can be applied for all different shoebox fixtures, street fixture, to replace MH HPS HID lamp.(including enclosed applications)



Please remove any ballast or capacitor parts before doing the retrofiting.