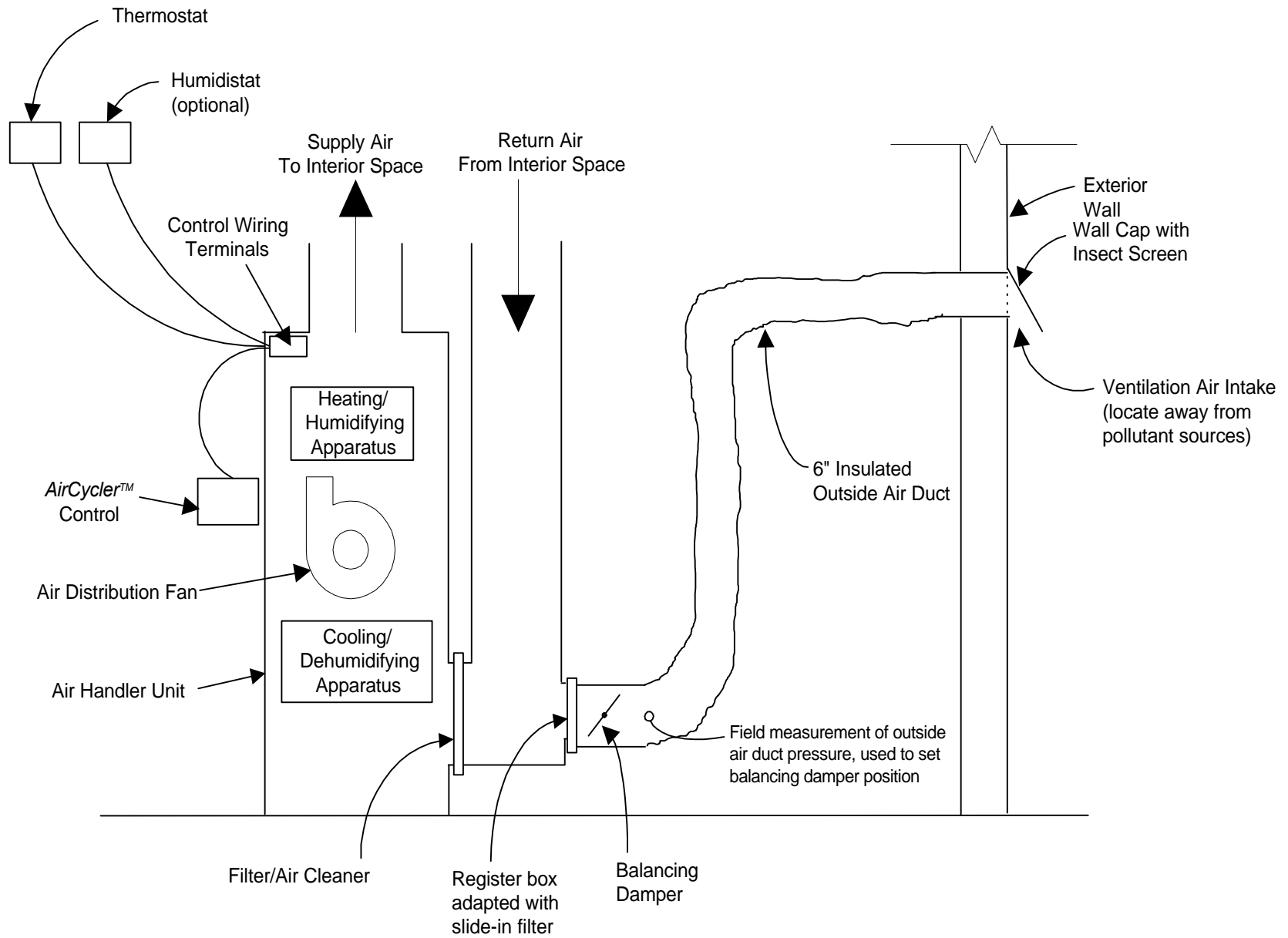
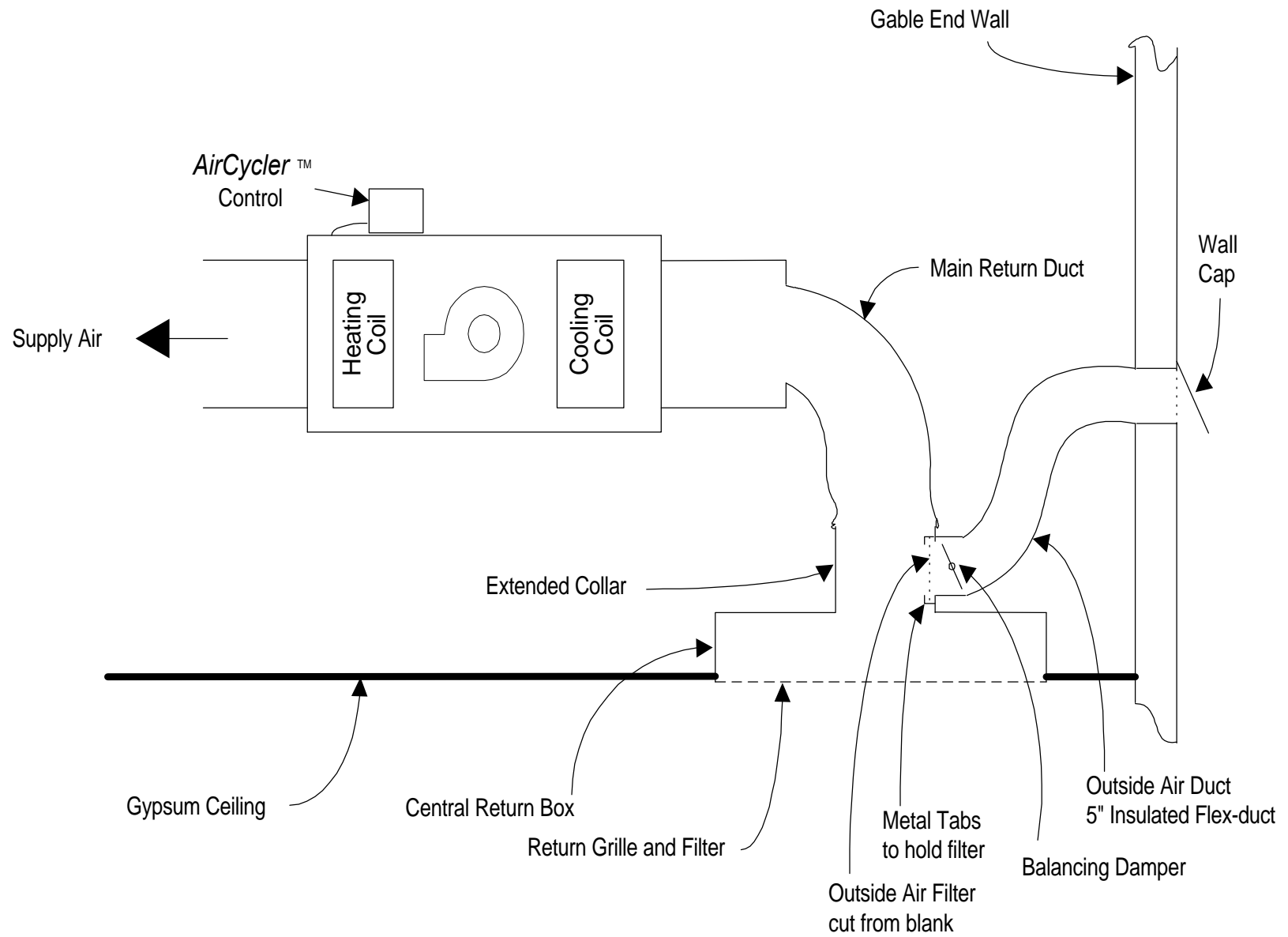


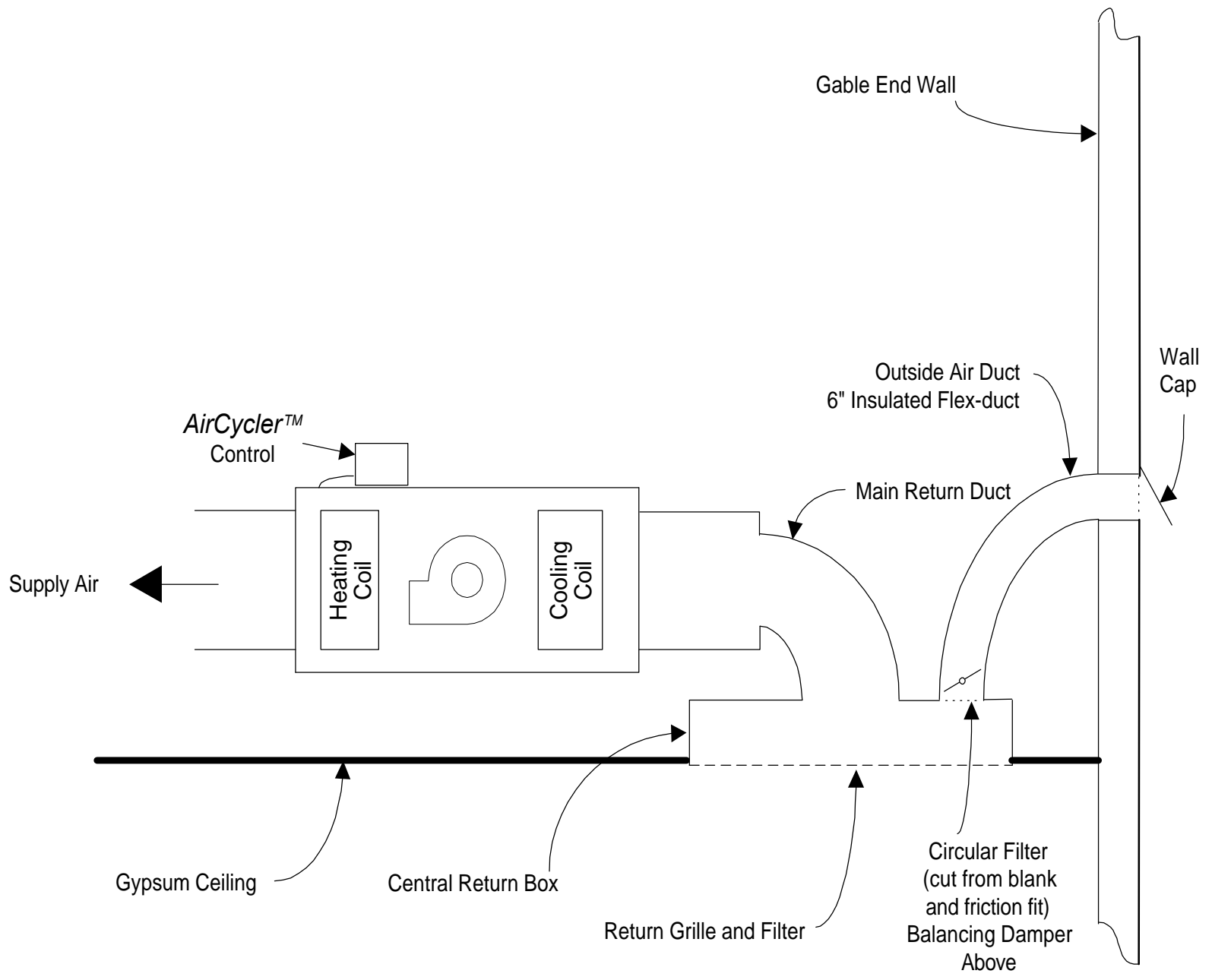
**Figure 1** Hot-humid climate, interior closet configuration of central-fan-integrated supply ventilation, with stand-alone dehumidifier



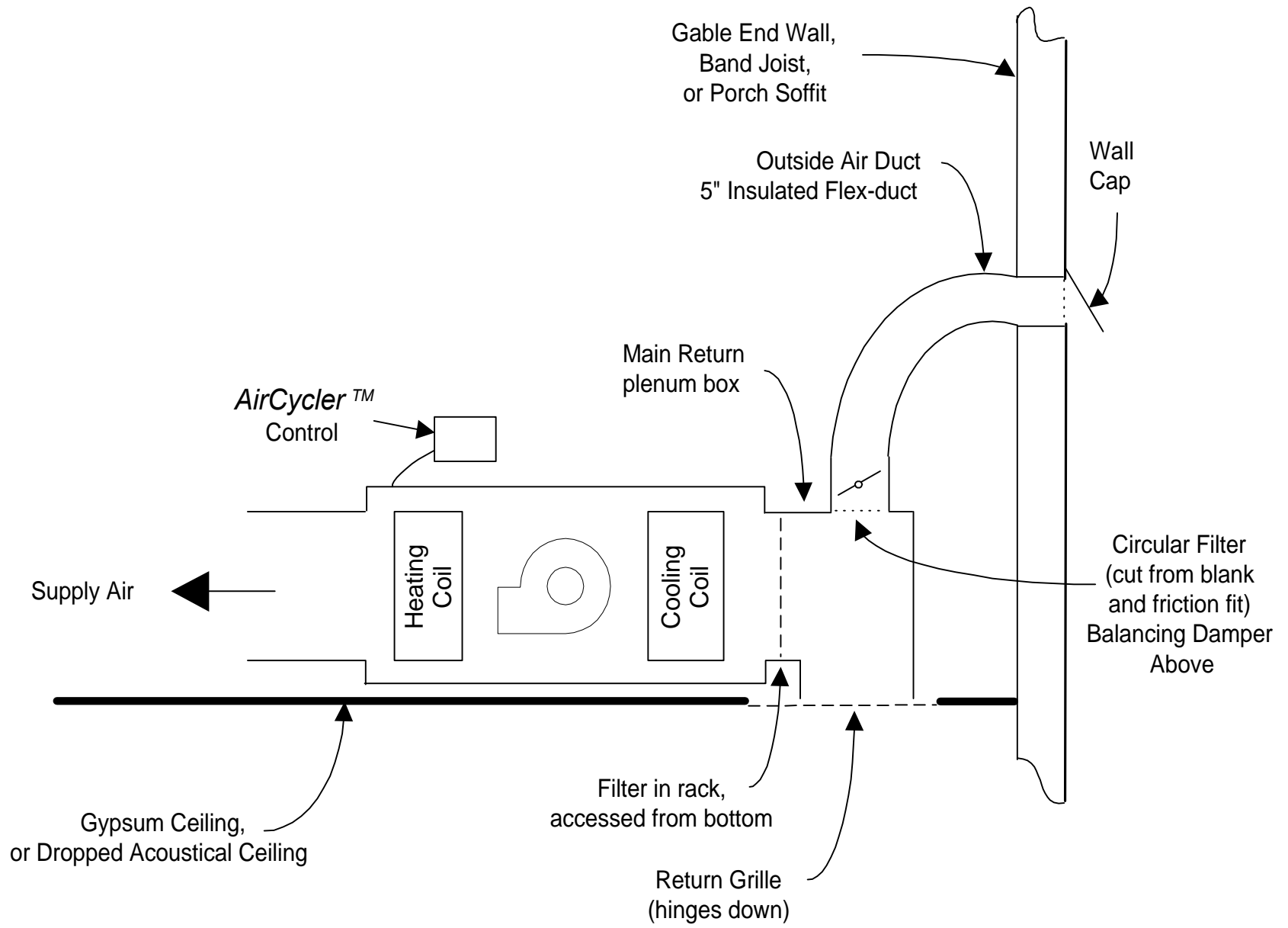
**Figure 2** Basement or interior closet configuration of central-fan-integrated supply ventilation



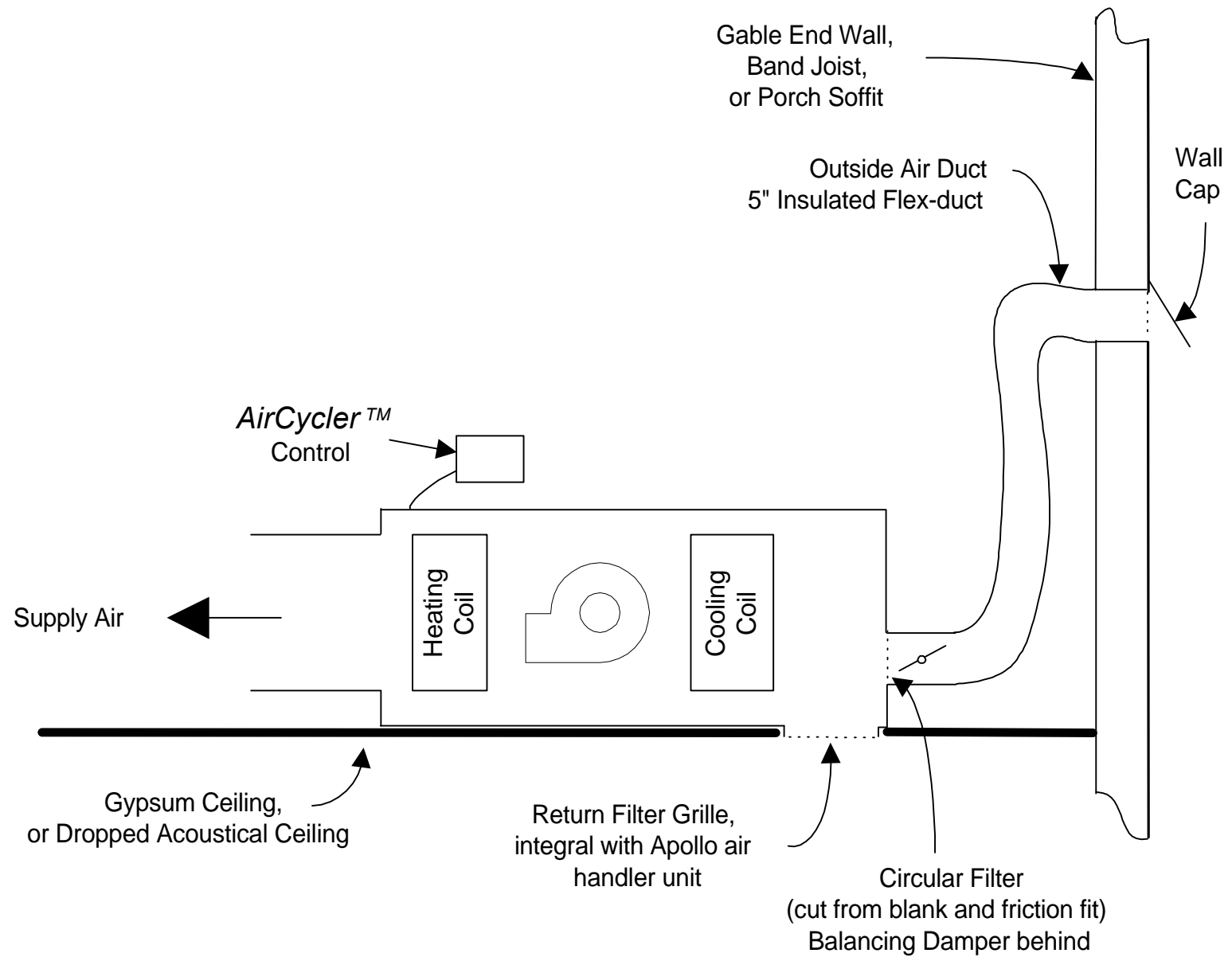
**Figure 3** Attic mounted air handler configuration of central-fan-integrated supply ventilation, higher pressure connection



**Figure 4** Attic mounted air handler configuration of central-fan-integrated supply ventilation, lower pressure connection



**Figure 5** Ceiling mounted combo system configuration for central-fan-integrated supply ventilation, top inlet



**Figure 6** Ceiling mounted combo system air handler configuration for central-fan-integrated supply ventilation, side inlet