

## Certification of Independence

(Rule #9B-72.110 F.A.C.)

**Evaluation Report Number:** 4731.01  
**Date:** February 27, 2006  
**Product Category:** New/Innovative Envelope Products  
**Product Sub-Category:** Other  
**Other Sub-Category:** Wind Abatement System  
**Product Name:** Storm Catcher Wind Abatement Screen System  
**Manufacturer Name:** Storm Catcher, Inc.

**Dear Sir or Madam:**

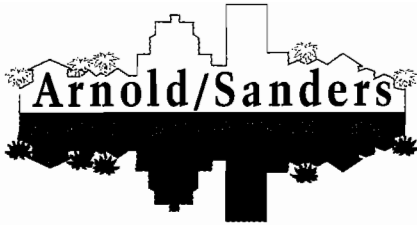
This is to certify that Arnold/Sanders Consulting Engineers, Inc. does not have, nor does it intend to acquire or will it acquire, a financial interest in the Manufacturer or Distributor of these Wind Abatement Systems.

1. Arnold/Sanders Consulting Engineers, Inc. is not owned, operated or controlled by the Manufacturer or Distributor of these Wind Abatement Systems.
2. The Florida Registered Engineer, performing this evaluation does not have nor will acquire, a financial interest in the Manufacturer or Distributor of these Wind Abatement Systems.
3. The Florida Registered Engineer performing this evaluation does not have nor will acquire, a financial interest in any other entity involved in the approval of these Wind Abatement Systems.

**Certificate of Independence prepared by Richard W. Arnold, P.E., President of Arnold/Sanders Consulting Engineers, Inc., a Florida Registered Engineering Company.**

Richard W. Arnold  
FL Reg. #19334






## PRODUCT EVALUATION REPORT

1. **Report No:** 4731.01
2. **Date:** February 27, 2006
3. **Product Category:** New/Innovative Envelope Products
4. **Product Sub-Category:** Other
5. **Other Sub-Category:** Wind Abatement Screen
6. **Product Name:** Storm Catcher Wind Abatement Screen System
7. **Evaluation Entity:** Arnold Sanders Consulting Engineers, Inc.  
16681 McGregor Blvd, Suite 202  
Fort Myers, Fl. 33908
8. **Manufacture:** Storm Catcher, Inc.  
6213 Idlewild Street  
Fort Myers, Florida 33912  
239-938-2760
9. **Product Description:** Polypropylene Screen Panels to be used for Impact Protection of openings using adjustable tension strap or gromment type attachment methods which can be new installations or for replacement of Storm Panels or Roll Up Shutters.

### 10. **Statement of Compliance:**

This product evaluation report is issued by Arnold/Sanders Consulting Engineers, Inc to Storm Catcher, Inc. in accordance with Section 9B-72.070 Method 1D, F.A.C., Department of Community Affairs-Florida Building Commission. The product covered by this report has been verified to be in compliance with the Florida Building Code, 2004 Edition.

  
Richard W. Arnold, P.E.  
FL Reg. #19334

**11. Evidence Submitted as per Subsection 9B-72.070(4)(a-h):**

- (a) Section 8. and 7. of this report.
- (b) Section 10. of this report.
- (c) Section 9. of this report.
- (d) Testing Reports:

Fenestration Testing Laboratory, Inc.

Date: June 6, 2005

Laboratory No. 4633

Report No. 1

File No. 05-422

Testing for large missile impact, cycle loading and uniform static load in accordance with ASTM Standards E330, E1886-02 and E1996-02.

Fenestration Testing Laboratory, Inc.

Date: June 6, 2005

Laboratory No. 4634

Report No. 2

File No. 05-422

Testing for large missile impact, cycle loading and uniform static load in accordance with ASTM Standards E330, E1886-02 and E1996-02.

Fenestration Testing Laboratory, Inc.

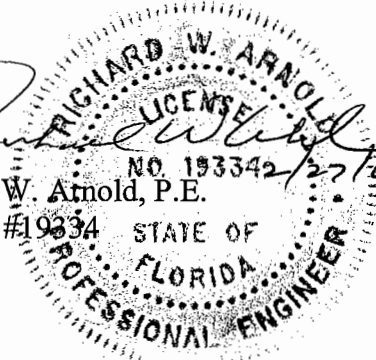
Date: December 7, 2005

Laboratory No. 4749

Report No. 3

File No. 05-422

Testing for large missile impact, cycle loading and uniform static load in accordance with ASTM Standards E330, E1886-02 and E1996-02.

  
Richard W. Arnold, P.E.  
FL Reg. #19334

Fenestration Testing Laboratory, Inc.

Date: December 7, 2005

Laboratory No. 4750

Report No. 4

File No. 05-422

Testing for large missile impact, cycle loading and uniform static load in accordance with ASTM Standards E330, E1886-02 and E1996-02.

Hurricane Engineering & Testing, Inc.

Revised Date: January 15, 2004

Report No. HETI-00-946

Testing for uniform static air pressure in accordance with Miami-Dade County Protocol PA 202-94 and ASTM Standard E330-90.

Hurricane Engineering & Testing, Inc.

Revised Date: January 16, 2004

Report No. HETI-00-959

Testing for large missile impact and cyclic wind pressure in accordance with Miami-Dade County Protocols PA 201-94 and PA 203-94.

- (e) Approval Document: Drawing No. SC 02-06, Sheets 1 through 8, titled "Storm Catcher Wind Abatement Screen System", signed and sealed by Richard W. Arnold, P.E.
- (f) Section 12. of this report.
- (g) Provided on separate document.
- (h) Signature and Seal of Engineer below.

**12. Limitation and Condition of Use:**

11.1 Product not to be installed in the " High Velocity Hurricane Zone" as defined in the Section 1620 of Florida Building Code, 2004 Edition.

11.2 Product to be manufactured and installed strictly in accordance with Drawing No. SC 02-06, Sheets 1 through 8, titled "Storm Catcher Wind Abatement Screen System", signed and sealed by Richard W. Arnold, P.E.

Richard W. Arnold, P.E.  
FL Reg. #19334

The seal is circular with the text "RICHARD W. ARNOLD" around the top edge, "LICENSE" in the center, "NO. 19334" below the license word, "2/27/06" in the bottom right, and "PROFESSIONAL ENGINEER" around the bottom edge. A signature is written across the seal.

REVISION	BY	REVISION DESCRIPTION	DATE

**EVALUATION BASED ON:**  
FENESTRATION TESTING LABORATORY, INC.

LABORATORY No.: 4633  
DATE: JUNE 6, 2005  
REPORT No.: 1  
FILE NUMBER: 05-422  
ASTM TESTING PROTOCOLS: E330, E1886, E1996-02  
OVERALL SIZE: 128.5 X 276"  
DESIGN LOAD: 60 PSF  
STRUCTURAL LOAD: 90 PSF

AND

LABORATORY No.: 4634  
DATE: JUNE 6, 2005  
REPORT No.: 2  
FILE NUMBER: 05-422  
ASTM TESTING PROTOCOL: E330, E1886, E1996-02  
OVERALL SIZE: 128.5 X 276"  
DESIGN LOAD: 60 PSF  
STRUCTURAL LOAD: 90 PSF

AND

LABORATORY No.: 4749  
DATE: DECEMBER 7, 2005  
REPORT No.: 3  
FILE NUMBER: 05-422  
ASTM TESTING PROTOCOL: E330, E1886, E1996-02  
OVERALL SIZE: 90.5"x154"  
DESIGN LOAD: 60 PSF  
STRUCTURAL LOAD: 90 PSF

AND

LABORATORY No.: 4750  
DATE: DECEMBER 7, 2005  
REPORT No.: 4  
FILE NUMBER: 05-422  
ASTM TESTING PROTOCOL: E330, E1886, E1996-02  
OVERALL SIZE: 229"x154"  
DESIGN LOAD: 60 PSF  
STRUCTURAL LOAD: 90 PSF

AND

**HURRICANE ENGINEERING & TESTING, INC.**

REPORT No.: HETI-00-946  
REVISED DATE: JANUARY 15, 2004  
TESTING PROTOCOL: PA 202-94 & ASTM E330-90  
OVERALL SIZE: 83"x114"  
DESIGN LOAD: 60 PSF  
STRUCTURAL LOAD: 90 PSF

AND

REPORT No.: HETI-00-959  
REVISED DATE: JANUARY 16, 2004  
TESTING PROTOCOL: PA 201-94 & PA 203-94  
OVERALL SIZE: 83"x114"  
DESIGN LOAD: 60 PSF  
STRUCTURAL LOAD: 90 PSF

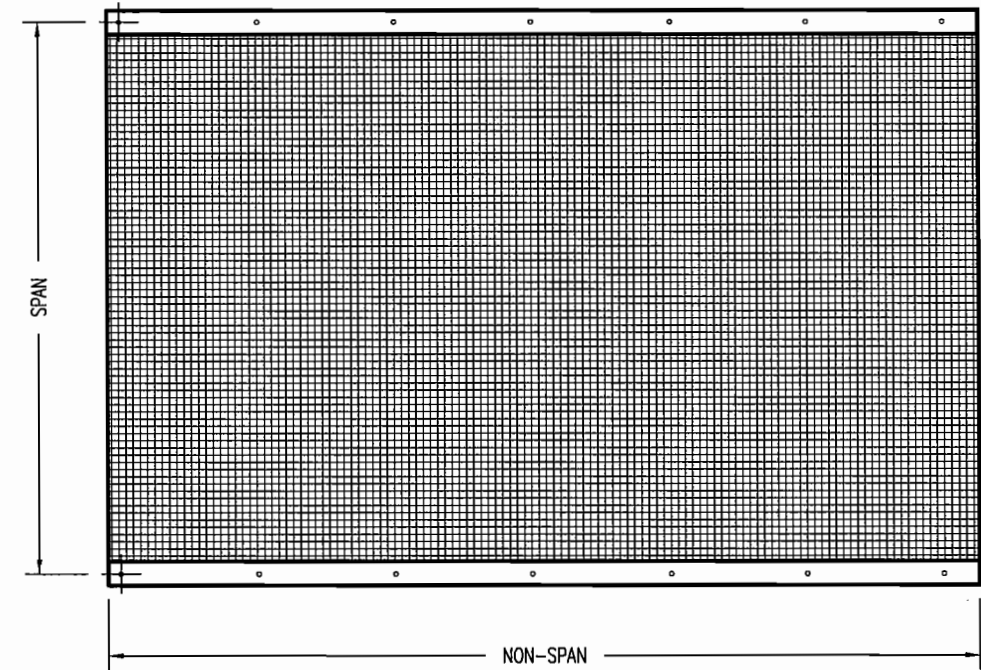
**GENERAL NOTES:**

- THIS PRODUCT EVALUATION DOCUMENT SHALL BE USED TO OBTAIN NO MORE THAN ONE BUILDING PERMIT. MASTER PERMITTING OF THIS PRODUCT EVALUATION DOCUMENT IS SPECIFICALLY NOT AUTHORIZED.
- THE STORM CATCHER WIND ABATEMENT SCREEN SYSTEM SHOWN ON THIS PRODUCT EVALUATION DOCUMENT HAS BEEN DESIGNED IN ACCORDANCE WITH FLORIDA BUILDING CODE, 2004. THIS SCREEN SYSTEM SHALL NOT BE INSTALLED IN HIGH VELOCITY HURRICANE ZONE AS DEFINED BY FLORIDA BUILDING CODE, 2004 (DADE COUNTY AND BROWARD COUNTY).
- DESIGN WIND LOADS SHALL BE DETERMINED IN ACCORDANCE WITH:  
FLORIDA BUILDING CODE, 2004, SECTION 1609  
ASCE 7-02  
BASIC WIND SPEED AS REQUIRED BY THE JURISDICTION WHERE THE SCREEN SYSTEM WILL BE INSTALLED.
- FENESTRATION TESTING LABORATORY, INC. AND HURRICANE ENGINEERING & TESTING INC. HAVE VERIFIED ADEQUACY FOR IMPACT, DEFLECTION AND FATIGUE RESISTANCE, FOR THIS SCREEN SYSTEM, IN ACCORDANCE WITH:  
FLORIDA BUILDING CODE, 2004, SECTION 1609.1.4  
ASTM E330  
ASTM E1886  
ASTM E1996  
AS PER THEIR RESPECTIVE REPORTS LISTED ON THIS PAGE.
- ALL ALUMINUM EXTRUSIONS SHALL BE 6063-T6 ALLOY (UNLESS OTHERWISE NOTED).
- ALL FASTENERS SHALL HAVE A 50 KSI YIELD POINT AND 90 KSI ULTIMATE TENSILE STRENGTH AND BE:  
CORROSION RESISTANT COATED STEEL, PER DIN50018  
OR STAINLESS STEEL 304 SERIES  
OR STAINLESS STEEL 318 SERIES
- SCREEN SYSTEM CAN BE INSTALLED VERTICAL OR HORIZONTAL.
- POSITIVE AND NEGATIVE DESIGN PRESSURE REQUIRED BY THE INSTALLATION SITE TO BE DETERMINED BY OTHERS IN ACCORDANCE WITH:  
THE FLORIDA BUILDING CODE, 2004  
ASCE 7-02
- THIS PRODUCT EVALUATION DOCUMENT IS GENERIC AND DOES NOT PROVIDE INFORMATION FOR SOME SITE SPECIFIC INSTALLATIONS. ANY SITE CONDITION NOT COVERED BY THIS ENGINEERING INSTALLATION DRAWING WILL REQUIRE A FLORIDA LICENSED ENGINEER TO PREPARE SITE SPECIFIC DRAWINGS FOR USE IN CONJUNCTION WITH THIS DOCUMENT.
- NO GLASS SEPARATION REQUIRED FOR SCREEN SYSTEM INSTALLATION.
- ALL SCREEN PANELS SHALL BE PERMANENTLY LABELED WITH AT LEAST ONE LABEL STATING:  
STORM CATCHER  
OPENING NO. #  
FL PRODUCT APPROVAL NO. #

**PRODUCT EVALUATION NOTES:**

- THIS PRODUCT EVALUATION DOCUMENT PREPARED BY THIS ENGINEER IS GENERIC AND MAY NOT PROVIDE ALL INFORMATION FOR SOME SITE SPECIFIC PROJECTS; i.e. WHERE THE SITE CONDITIONS DEVIATE FROM THE PRODUCT EVALUATION DOCUMENT.
- CONTRACTOR SHALL BE RESPONSIBLE FOR THE SELECTION, PURCHASE AND INSTALLATION OF THIS PRODUCT, BASED ON THIS PRODUCT EVALUATION DOCUMENT, PROVIDED HE/SHE DOES NOT DEVIATE FROM THE CONDITIONS DETAILED ON THIS DOCUMENT.
- THIS PRODUCT EVALUATION DOCUMENT WILL BE CONSIDERED INVALID IF ALTERED (i.e. HIGHLIGHTED, MARKED ETC.) BY ANY MEANS.
- SITE SPECIFIC PROJECTS SHALL BE PREPARED BY A FLORIDA LICENSED ENGINEER WHO WILL BECOME THE ENGINEER OF RECORD FOR THAT SPECIFIC PROJECT AND WILL BE RESPONSIBLE FOR THE PROPER USE OF THIS PRODUCT EVALUATION DOCUMENT. ENGINEER OF RECORD, ACTING AS A DELEGATED ENGINEER TO THE PRODUCT EVALUATION DOCUMENT ENGINEER SHALL SUBMIT, TO THE LATTER, THE SITE SPECIFIC DRAWINGS FOR REVIEW.
- THIS PRODUCT EVALUATION DOCUMENT SHALL BEAR THE DATE AND ORIGINAL SEAL AND SIGNATURE OF THE PROFESSIONAL ENGINEER OF RECORD THAT PREPARED IT.

**ANCHOR NOTES:**  
A. ALL FASTENER LENGTHS SHOWN ARE MINIMUM REQUIRED EMBEDMENT.  
B. EMBEDMENT AND EDGE DISTANCE SHOWN ARE BEYOND THE WALL AND FLOOR COVERINGS (i.e. STUCCO, TILE, ETC.).  
C. NO EMBEDMENT INTO STUCCO, TILE, ETC., SHALL BE CONSIDERED PART OF THE REQUIRED EMBEDMENT.

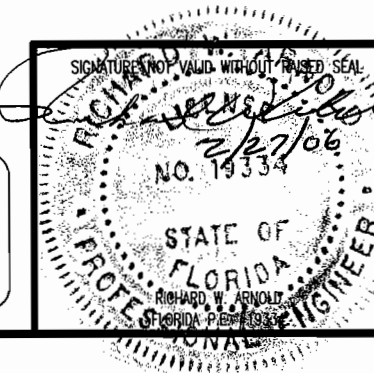


**TYPICAL VERTICAL INSTALLATION**

**MAX. DESIGN PRESSURE = ±60.0 PSF**

- LIMITATIONS OF USE:**
- THIS PRODUCT IS NOT TO BE USED IN HIGH VELOCITY HURRICANE ZONES.
  - MAXIMUM SPAN: 154"
  - MAXIMUM NON-SPAN: UNLIMITED
  - MAXIMUM DESIGN PRESSURE: ±60.0 PSF

ENGINEERING REVIEW BY:  
ARNOLD/SANDERS CONSULTING ENGINEERS, INC.  
16681 MCGREGOR BLVD., SUITE 202  
FORT MYERS, FL 33908  
PHONE: (239) 267-3666

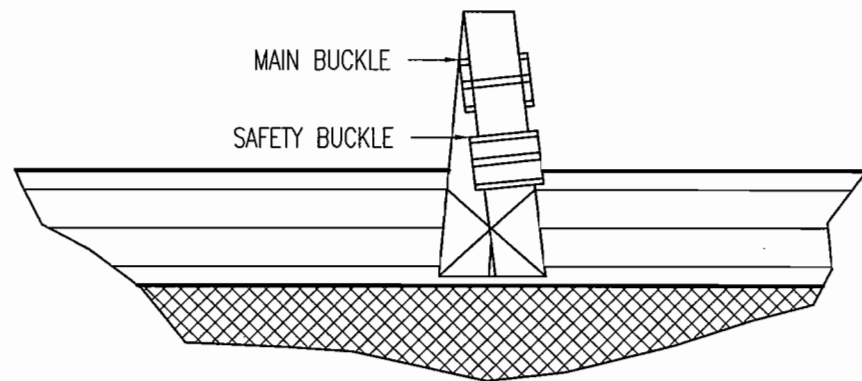


**Storm Catcher  
Wind Abatement Screen System**

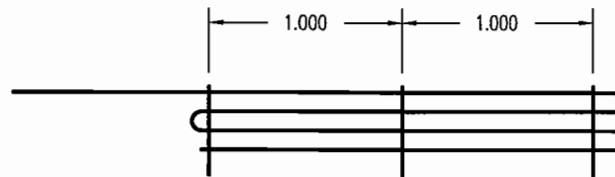
STORM CATCHER, INC.  
6213 IDLEWILD STREET, FORT MYERS, FL 33912  
(239) 938-2760 <http://www.stormcatcher.net> JN: 4731

DATE: 23 FEB. 2006	DRAWING: SC 02-06	REV.:
SCALE: NOT TO SCALE	SHEET: 1 OF 8	

REVISION	BY	REVISION DESCRIPTION	DATE



**ADJUSTABLE STRAP DETAIL**



**STITCHING DETAIL**

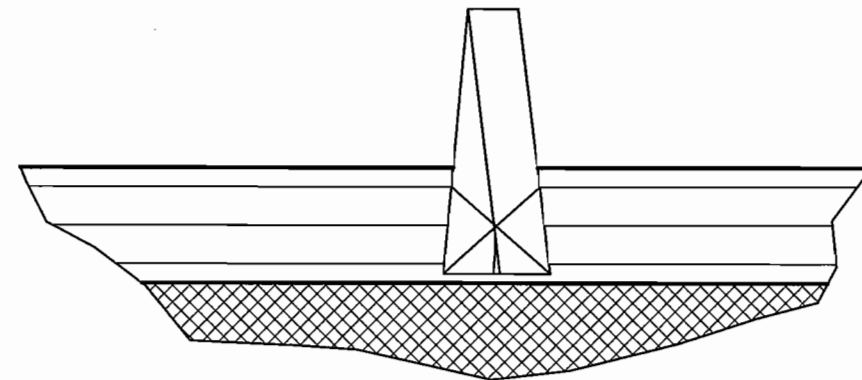
**FABRIC SPECIFICATION:**  
 FIBER CONTENT: 100% POLYPROPYLENE  
 CONSTRUCTION: 3/4 BASKET-WEAVE, WARP - 60 ENDS PER INCH, WEFT - 50 ENDS PER INCH  
 FINISH: CALENDERED  
 WEIGHT (ASTM D-3776): 7.6 -OZ/SQUARE YARD  
 TENSILE STRENGTH: WARP - 540 lbs., WEFT - 425 lbs.  
 BURST STRENGTH (ASTM D - 4632): 825 PSI  
 TEAR STRENGTH: WARP - 200 lbs., WEFT - 170 lbs.  
 PUNCTURE STRENGTH (ASTM D -4833) 190 lbs.  
 AIR FLOW: 230 CFM  
 UV RETENTION (ASTM D-G154): 90%

**STRAP/BUCKLE**  
 PATTERN: X100-1000  
 WIDTH/DIAMETER: 1.875 +/- .063  
 THICKNESS: .050" +/- .010"  
 AVERAGE BREAKING STRENGTH: 5000 lbs.  
 MATERIAL: POLYESTER

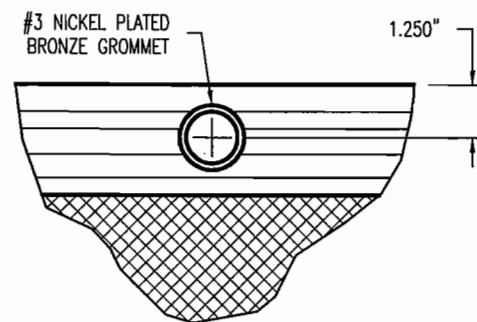
**SEWING:**  
 3 SINGLE ROWS OF STRAIGHT STITCH AT INTERVALS OF 6 MM USING 138 DENIER POLYESTER THREAD.

**EDGES:**  
 3.500 QUAD FOLDED ALL AROUND THE PERIMETER THREE CONTINUOUS SEWING @ 1.500" O.C.

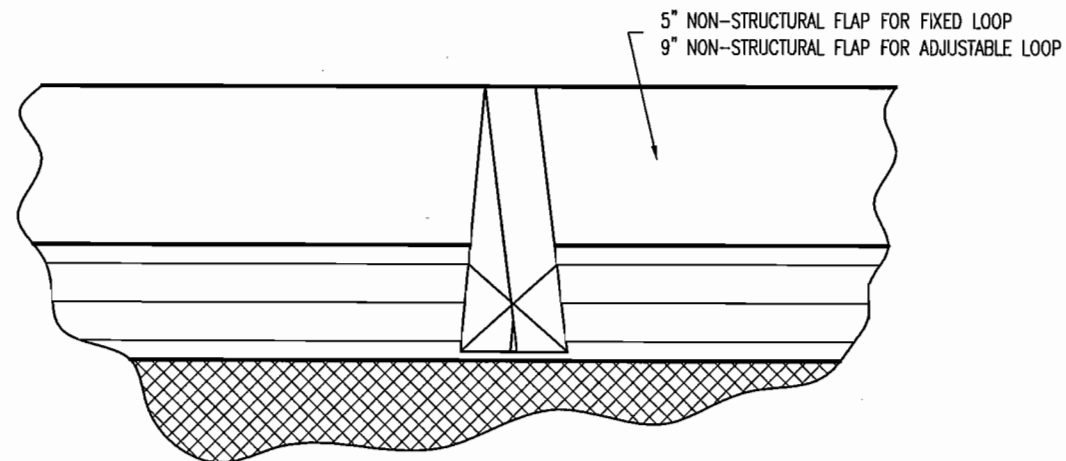
**GROMMETS:**  
 #3 NICKEL PLATED BRONZE GROMMETS PLACED AT 1.250" IN FROM THE EDGE OF THE SCREEN.



**FIXED STRAP DETAIL**



**GROMMET DETAIL**

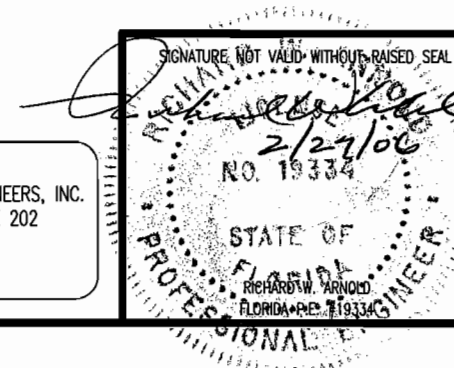


**FLAP DETAIL**

MAX. DESIGN PRESSURE = ±60.0 PSF

**SCREEN FABRICATION DETAILS**

ENGINEERING REVIEW BY:  
 ARNOLD/SANDERS CONSULTING ENGINEERS, INC.  
 16681 MCGREGOR BLVD., SUITE 202  
 FORT MYERS, FL 33908  
 PHONE: (239) 267-3666

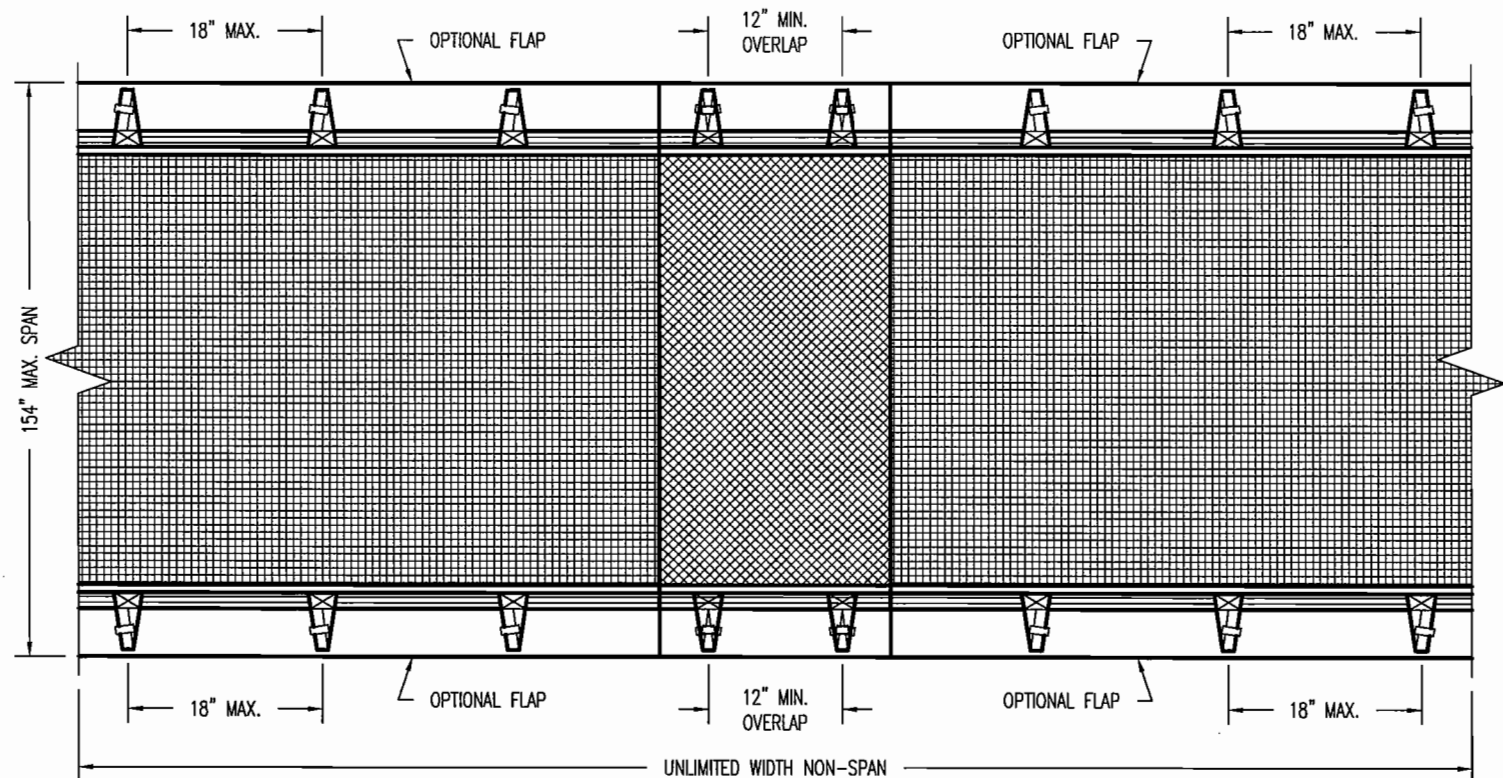


**Storm Catcher  
 Wind Abatement Screen System**

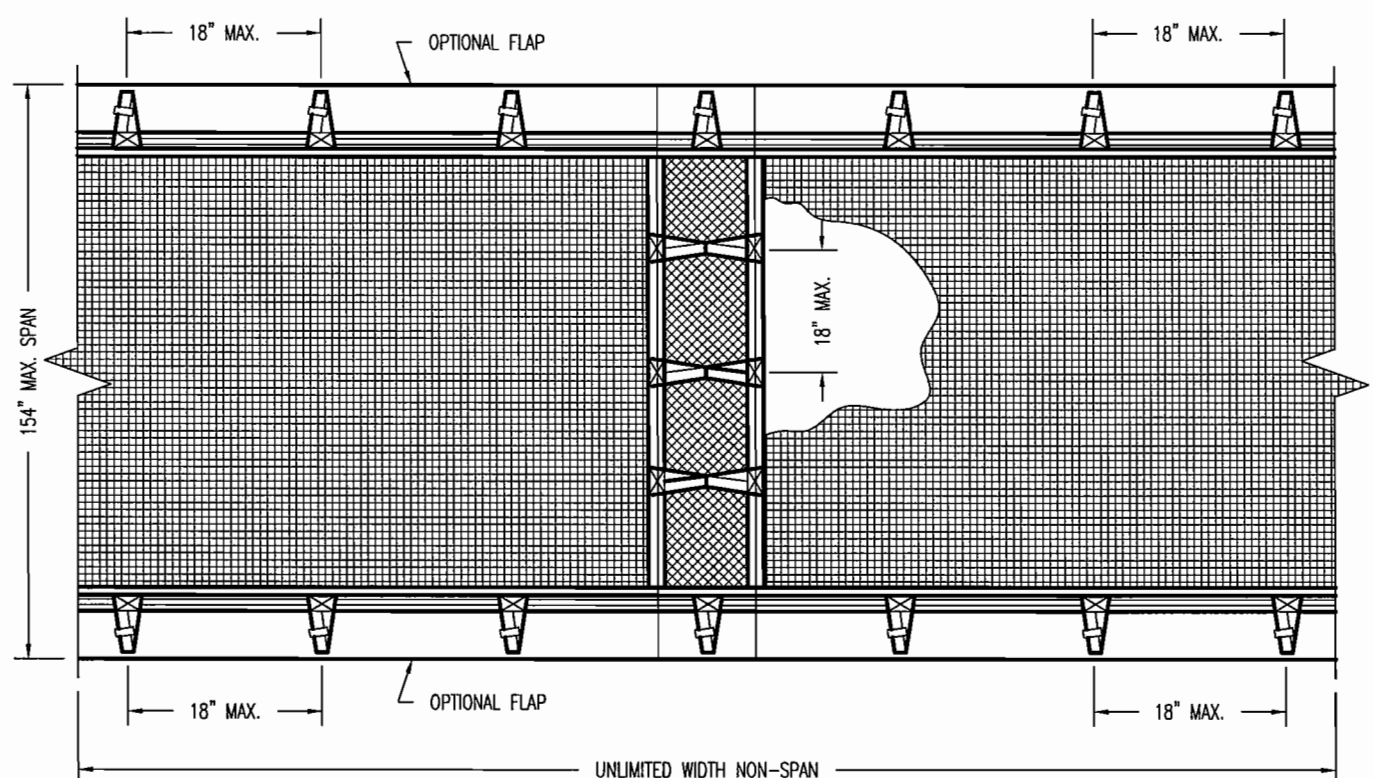
STORM CATCHER, INC.  
 6213 IDLEWILD STREET, FORT MYERS, FL 33912  
 (239) 938-2760 <http://www.stormcatcher.net> JN: 4731

DATE: 23 FEB. 2006	DRAWING: SC 02-06	REV.:
SCALE: NOT TO SCALE	SHEET: 2 OF 8	

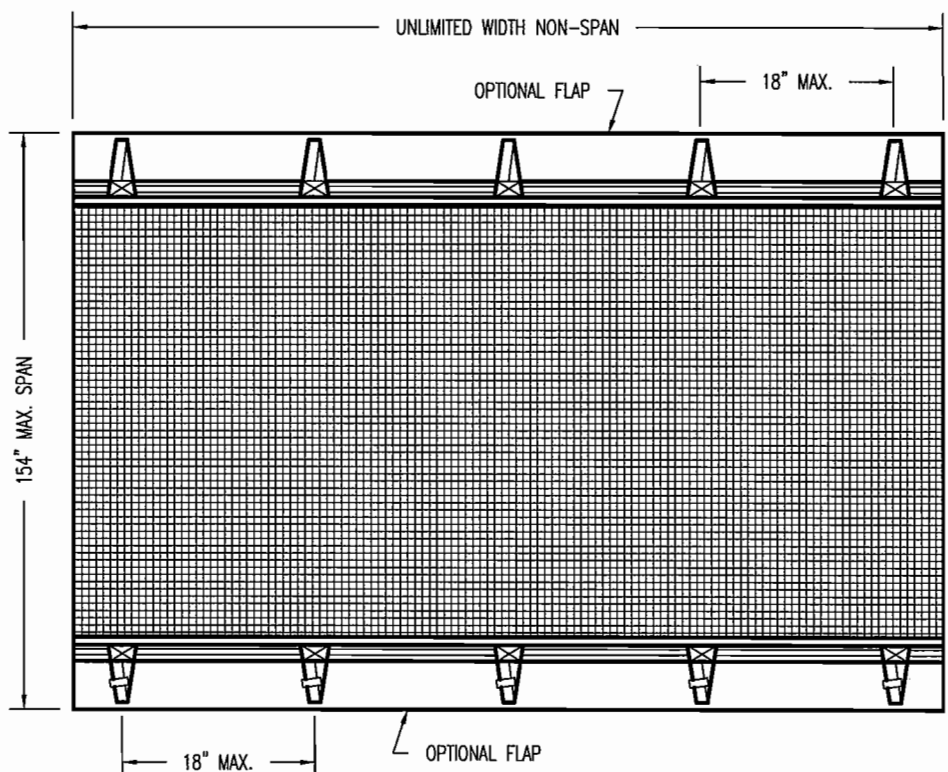
REVISION	BY	REVISION DESCRIPTION	DATE



**OPT. 1 MULTI-PANEL VERTICAL INSTALL DETAIL**



**OPT. 2 MULTI-PANEL VERTICAL INSTALL DETAIL**



**SINGLE PANEL VERTICAL INSTALL DETAIL**

**MOUNTING NOTES:**  
 SCREEN CAN BE MOUNTED VERTICALLY OR HORIZONTALLY.  
 FLAP OVER FIXED LOOP = 5"  
 FLAP OVER ADJUSTABLE LOOP = 9"  
 STRAP/LOOP PARTIALLY ATTACHED TO THE FLAP IS OPTIONAL AND NOT REQUIRED

**MAX. DESIGN PRESSURE = ±60.0 PSF**

**LOOP AND STRAP TWO SIDE ATTACHMENT INSTALLATION DETAILS**

ENGINEERING REVIEW BY:  
 ARNOLD/SANDERS CONSULTING ENGINEERS, INC.  
 16681 MCGREGOR BLVD., SUITE 202  
 FORT MYERS, FL 33908  
 PHONE: (239) 267-3666

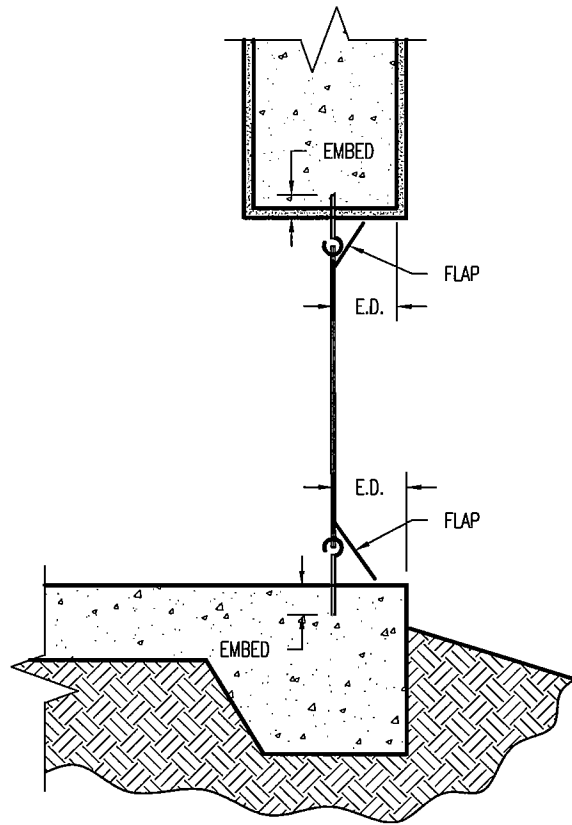


<b>Storm Catcher Wind Abatement Screen System</b>		
STORM CATCHER, INC. 6213 IDLEWILD STREET, FORT MYERS, FL 33912 (239) 938-2760 <a href="http://www.stormcatcher.net">http://www.stormcatcher.net</a>		
DATE: 23 FEB. 2006	DRAWING: SC 02-06	REV.:
SCALE: NOT TO SCALE	SHEET: 3 OF 8	

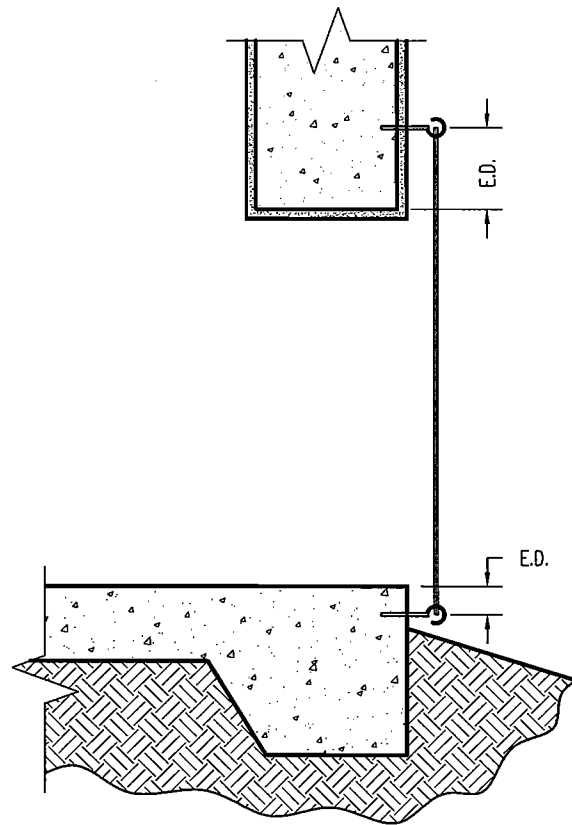
JN: 4731

REVISION	BY	REVISION DESCRIPTION	DATE

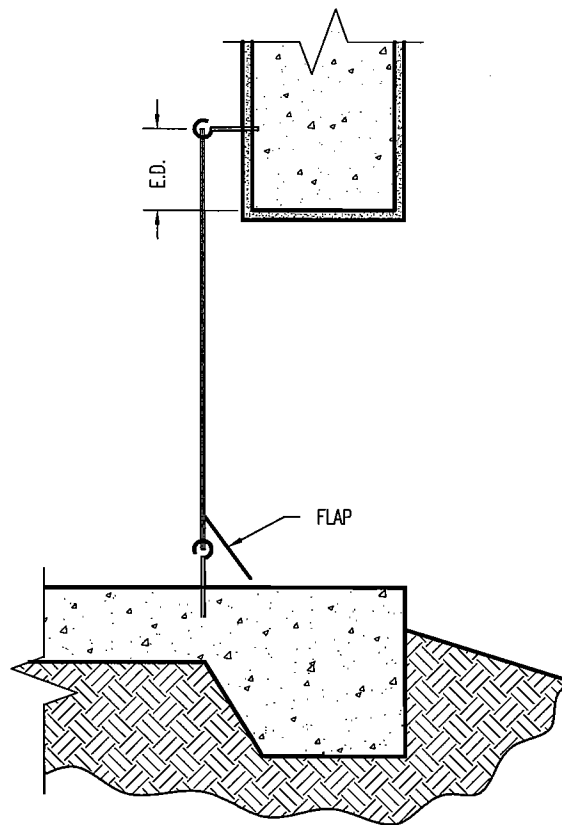
**ANCHOR NOTES:**  
A. ALL FASTENER LENGTHS SHOWN ARE MINIMUM REQUIRED EMBEDMENT.  
B. EMBEDMENT AND EDGE DISTANCE SHOWN ARE BEYOND THE WALL AND FLOOR COVERINGS (i.e. STUCCO, TILE, ETC.).  
C. NO EMBEDMENT INTO STUCCO, TILE, ETC., SHALL BE CONSIDERED PART OF THE REQUIRED EMBEDMENT.



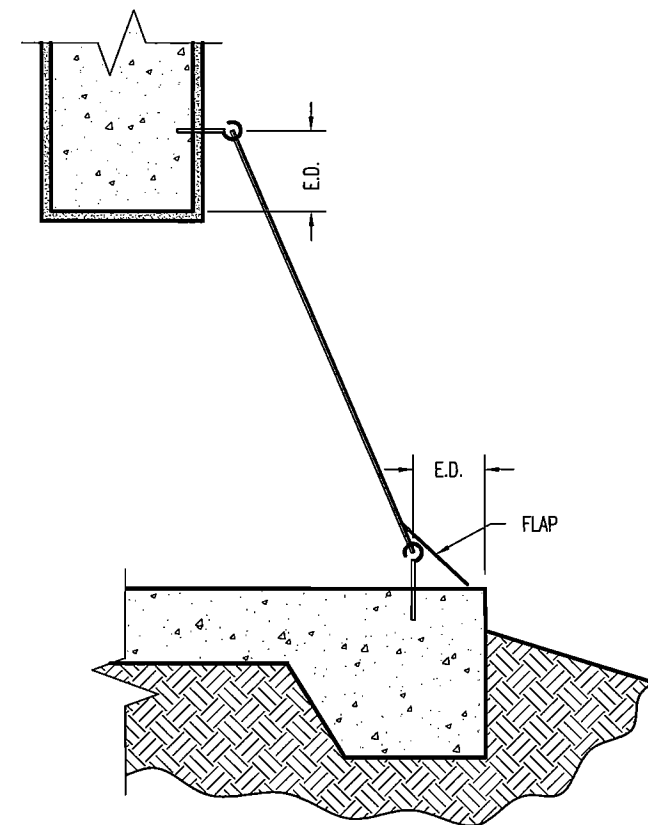
**DETAIL - A**  
VERTICAL WITHIN THE OPENING



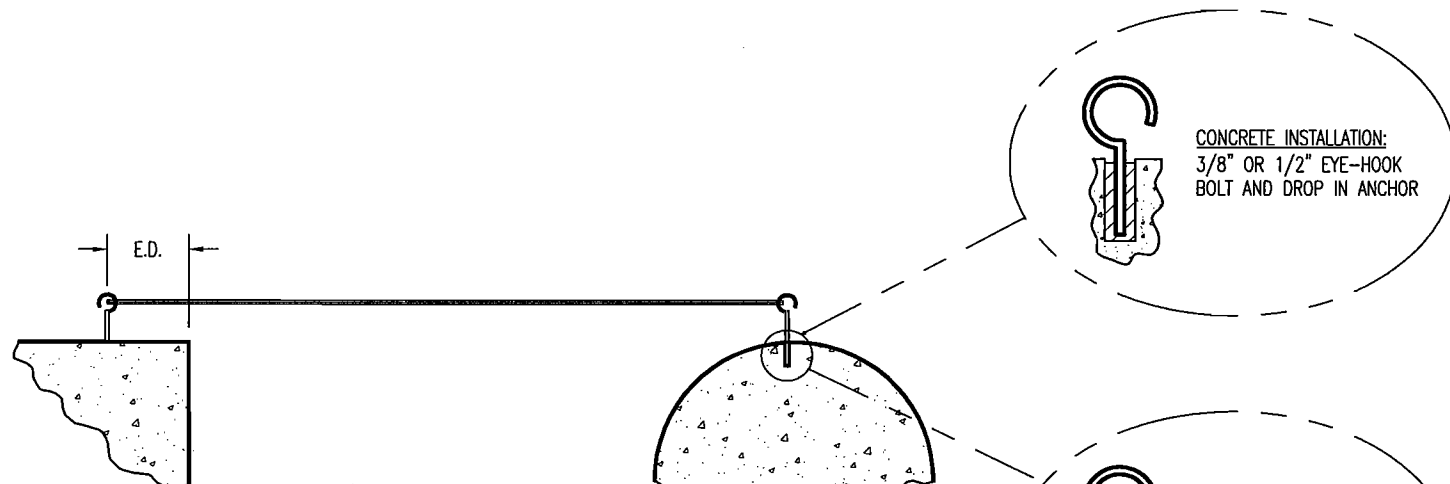
**DETAIL - B**  
VERTICAL OUTSIDE OF THE OPENING



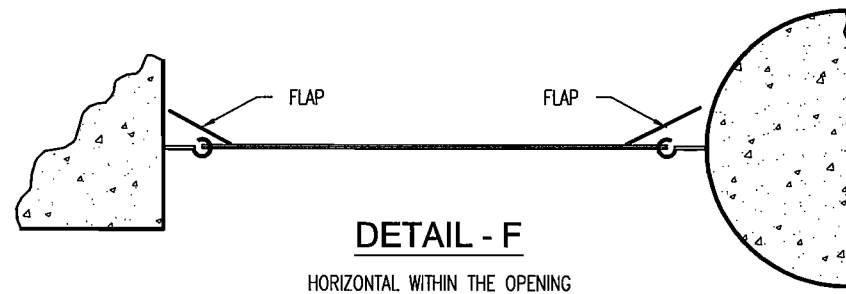
**DETAIL - C**  
VERTICAL INSIDE OF THE OPENING



**DETAIL - D**  
VERTICAL ANGLED OUTSIDE OF THE OPENING



**DETAIL - E**  
HORIZONTAL OUTSIDE OF THE OPENING



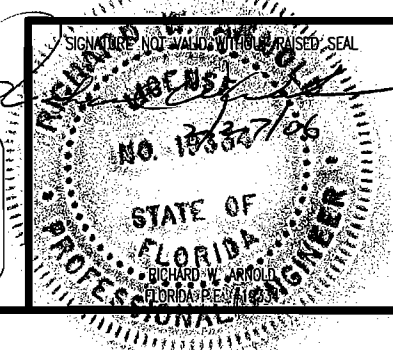
**DETAIL - F**  
HORIZONTAL WITHIN THE OPENING

**EDGE DISTANCE & EMBEDMENT NOTE:**  
CONCRETE INSTALLATION E.D. = 3.5"  
CONCRETE EMBEDMENT = 2.5"  
WOOD INSTALLATION E.D. = 0.75"  
WOOD EMBEDMENT = 2.5"

**MAX. DESIGN PRESSURE = ±60.0 PSF**

**STRAP INSTALLATION DETAILS**

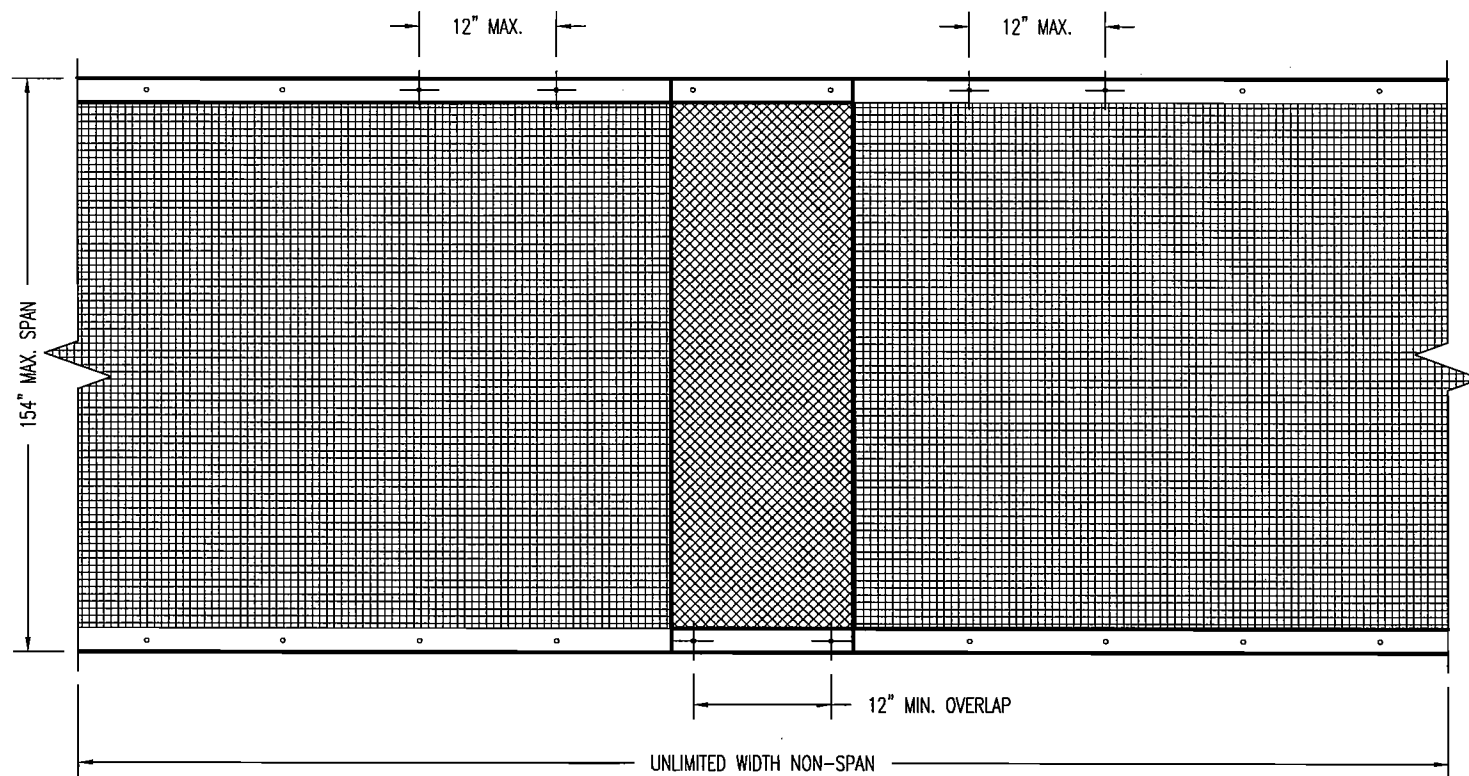
ENGINEERING REVIEW BY:  
ARNOLD/SANDERS CONSULTING ENGINEERS, INC.  
16681 MCGREGOR BLVD., SUITE 202  
FORT MYERS, FL 33908  
PHONE: (239) 267-3666



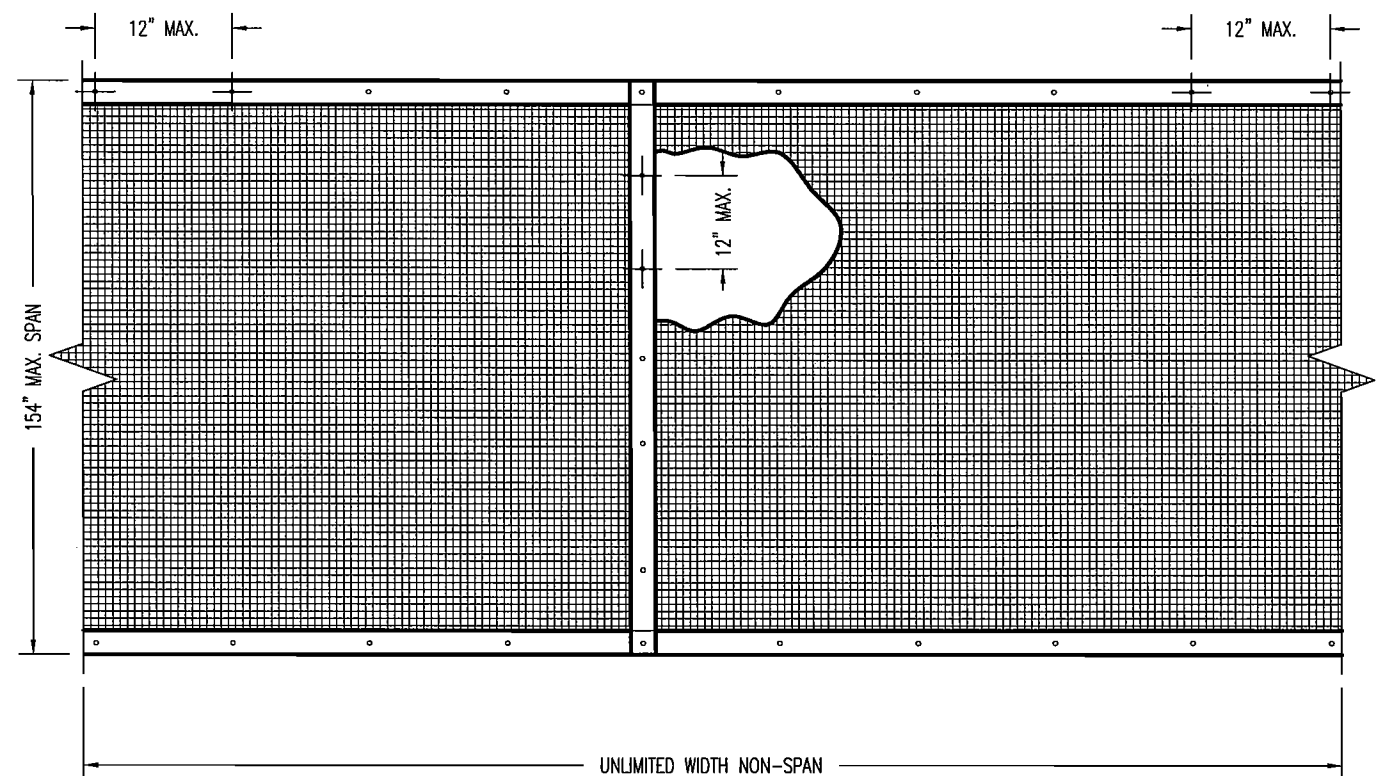
<b>Storm Catcher Wind Abatement Screen System</b>		
STORM CATCHER, INC. 6213 IDLEWILD STREET, FORT MYERS, FL 33912 (239) 938-2760 <a href="http://www.stormcatcher.net">http://www.stormcatcher.net</a> <span style="float: right;">JN: 4731</span>		
DATE: 23 FEB. 2006	DRAWING: SC 02-06	REV.:
SCALE: NOT TO SCALE	SHEET: 4 OF 8	



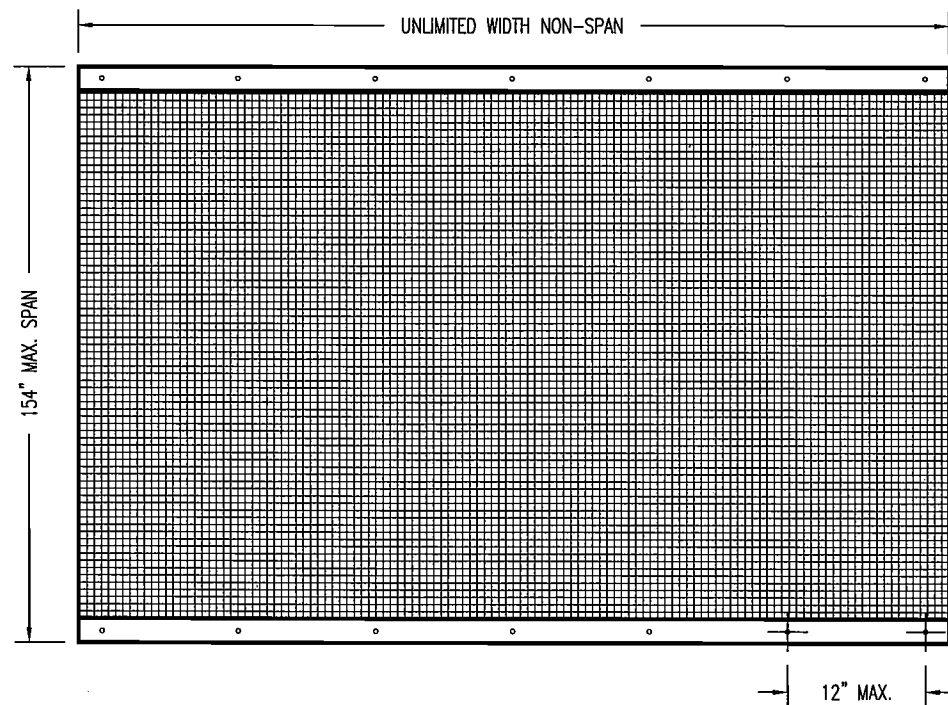
REVISION	BY	REVISION DESCRIPTION	DATE



**OPT. 1 MULTI-PANEL VERTICAL INSTALL DETAIL**



**OPT. 2 MULTI-PANEL VERTICAL INSTALL DETAIL**



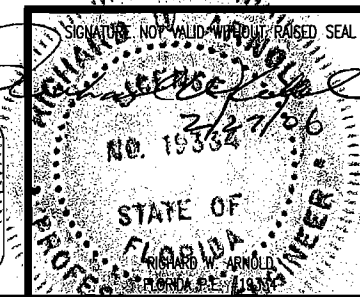
**SINGLE PANEL VERTICAL INSTALL DETAIL**

**MOUNTING NOTES:**  
SCREEN CAN BE MOUNTED VERTICALLY OR HORIZONTALLY.

**MAX. DESIGN PRESSURE = ±60.0 PSF**

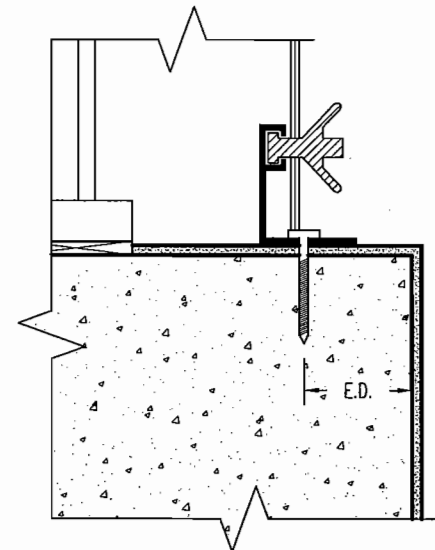
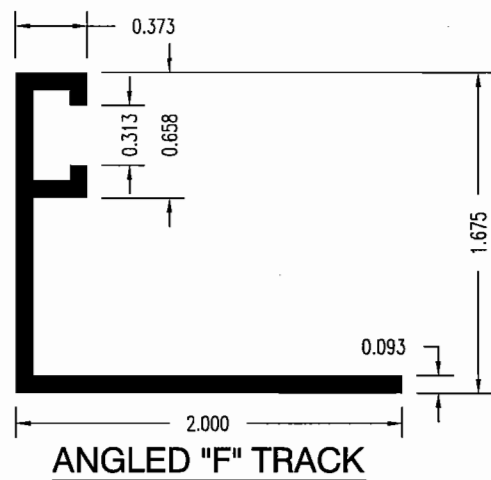
**GROMMET TWO SIDE ATTACHMENT INSTALLATION DETAILS**

ENGINEERING REVIEW BY:  
ARNOLD/SANDERS CONSULTING ENGINEERS, INC.  
16681 MCGREGOR BLVD., SUITE 202  
FORT MYERS, FL 33908  
PHONE: (239) 267-3666

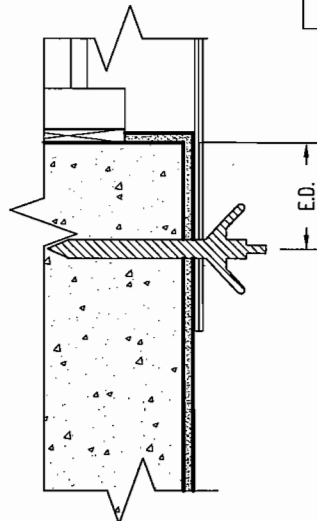


<b>Storm Catcher Wind Abatement Screen System</b>		
STORM CATCHER, INC. 6213 IDLEWILD STREET, FORT MYERS, FL 33912 (239) 938-2760 <a href="http://www.stormcatcher.net">http://www.stormcatcher.net</a> <span style="float: right;">JN: 4731</span>		
DATE: 23 FEB. 2006	DRAWING: SC 02-06	REV.:
SCALE: NOT TO SCALE	SHEET: 5 OF 8	

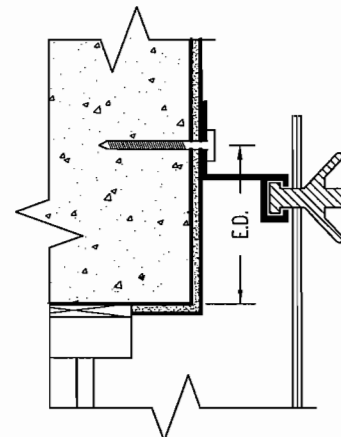
REVISION	BY	REVISION DESCRIPTION	DATE



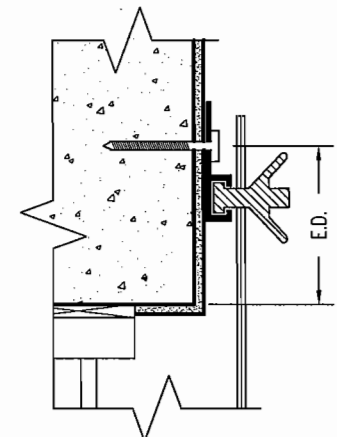
**ANGLED "F" TRACK INSTALL**



**DIRECT MOUNT INSTALL**



**BUILD-OUT "F" TRACK INSTALL**

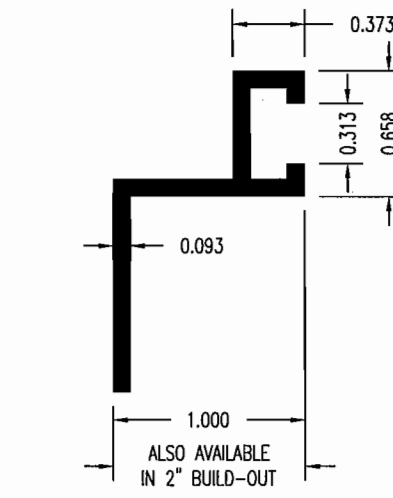


**STANDARD "F" TRACK INSTALL**

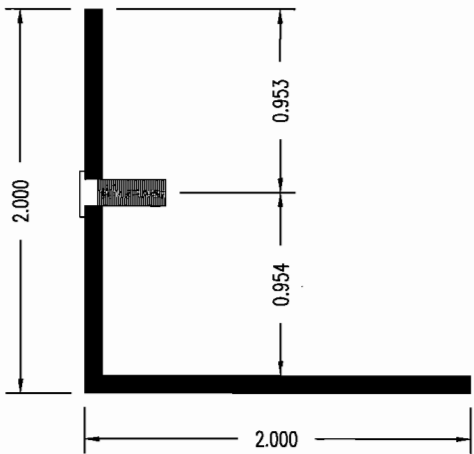
**ALL POINTS FASTENERS:**  
 MALE PANEL MATE  
 FEMALE PANEL MATE  
 PANEL MATE PRO  
 1/4"Ø POWERS CALK-IN ANCHORS

**TAPCON FASTENERS:**  
 1/4"Øx2-1/4" MASONRY SCREWS

E.D.= TYPICAL EDGE DISTANCE, SEE SHEET 7 OF 8



**BUILD-OUT "F" TRACK**



**STUDED ANGLE TRACK**

1/4"Ø ANCHOR SCHEDULE								
CONCRETE AND/OR SOLID FILLED CA90 CMU (FOR ALL FASTENERS LISTED)								
D.P.	SPW	155"	135"	115"	85"	65"	45"	25"
40 PSF	12"	12"	12"	12"	12"	12"	12"	12"
50 PSF	12"	12"	12"	12"	12"	12"	12"	12"
60 PSF	6"	6"	6"	6"	6"	6"	6"	6"
CA90 HOLLOW CMU (FOR ALL FASTENERS LISTED)								
D.P.	SPW	155"	135"	115"	85"	65"	45"	25"
40 PSF	12"	12"	12"	12"	12"	12"	12"	12"
50 PSF	6"	12"	12"	12"	12"	12"	12"	12"
60 PSF	6"	6"	6"	6"	6"	6"	12"	12"
WOOD (FOR TAPCON SCREWS, PANEL MATE SCREWS OR LAG BOLTS ONLY)								
D.P.	SPW	155"	135"	115"	85"	65"	45"	25"
40 PSF	6"	8"	9"	12"	12"	12"	12"	12"
50 PSF	5"	6"	7"	10"	12"	12"	12"	12"
60 PSF	4"	5"	6"	8"	11"	12"	12"	12"
CA90 CMU OR CONCRETE 1" OR 2" BUILD-OUT (FOR TAPCON SCREWS ONLY)								
D.P.	SPW	155"	135"	115"	85"	65"	45"	25"
40 PSF	6"	8"	9"	12"	12"	12"	12"	12"
50 PSF	5"	6"	7"	10"	12"	12"	12"	12"
60 PSF	4"	5"	6"	8"	11"	12"	12"	12"

**ANCHOR NOTES:**

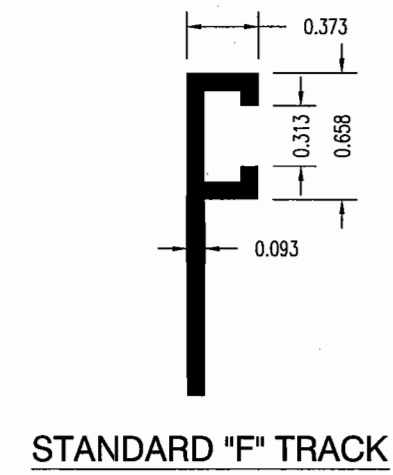
A. ALL FASTENER LENGTHS SHOWN ARE MINIMUM REQUIRED EMBEDMENT.

B. EMBEDMENT AND EDGE DISTANCE SHOWN ARE BEYOND THE WALL AND FLOOR COVERINGS (i.e. STUCCO, TILE, ETC.).

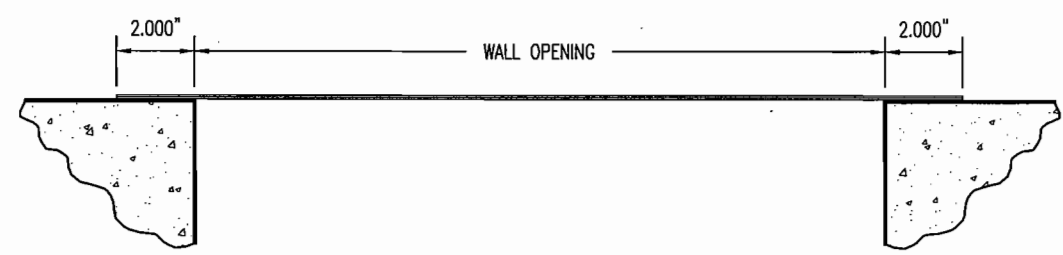
C. NO EMBEDMENT INTO STUCCO, TILE, ETC., SHALL BE CONSIDERED PART OF THE REQUIRED EMBEDMENT.

**MAX. DESIGN PRESSURE = ±60.0 PSF**

**GROMMET TWO SIDE ATTACHMENT INSTALLATION DETAILS**

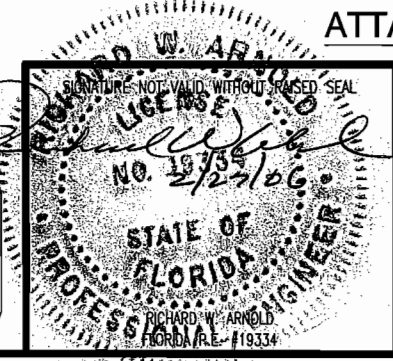


**STANDARD "F" TRACK**



**NON-SPAN HORIZONTAL SECTION**

ENGINEERING REVIEW BY:  
 ARNOLD/SANDERS CONSULTING ENGINEERS, INC.  
 16681 MCGREGOR BLVD., SUITE 202  
 FORT MYERS, FL 33908  
 PHONE: (239) 267-3666



**Storm Catcher Wind Abatement Screen System**

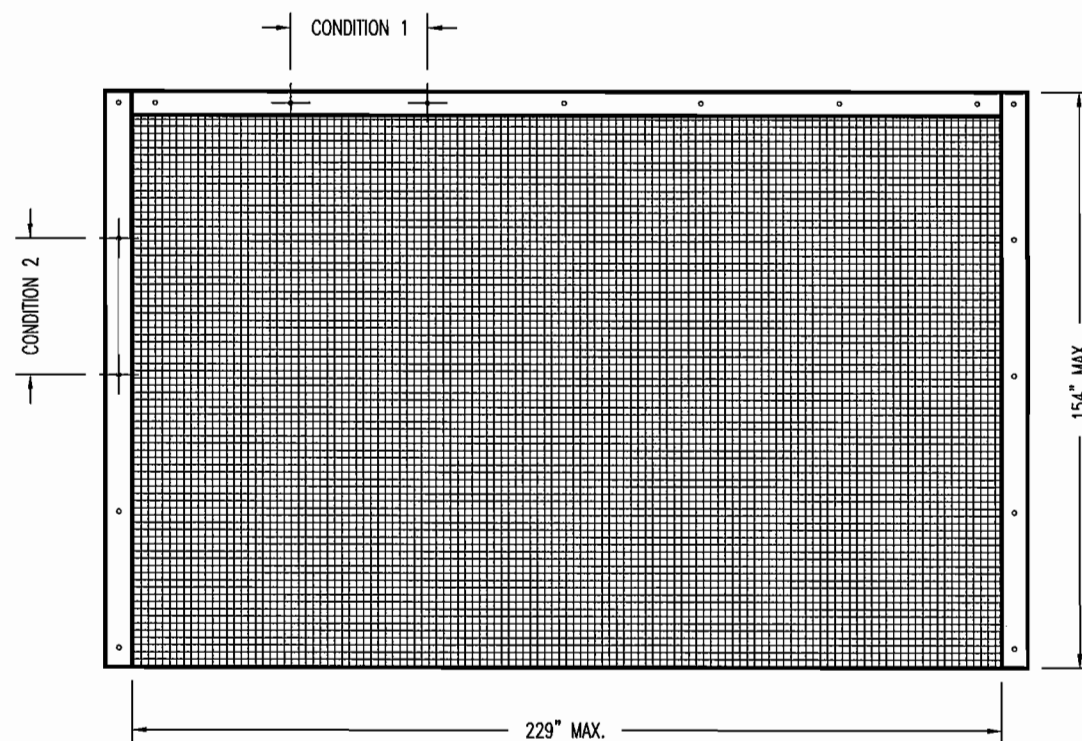
STORM CATCHER, INC.  
 6213 IDLEWILD STREET, FORT MYERS, FL 33912  
 (239) 938-2760 <http://www.stormcatcher.net> JN: 4731

DATE: 23 FEB. 2006	DRAWING: SC 02-06	REV.:
SCALE: NOT TO SCALE	SHEET: 6 OF 8	

REVISION	BY	REVISION DESCRIPTION	DATE

TOP ANCHORS: (CONDITION 1)	
ANCHOR TYPE	ANCHOR SPACING
1/4"Ø MALE PANELMATE	12"
1/4"Ø FEMALE PANELMATE	12"
1/4"Ø CALK-IN	12"
1/4"Ø TAPCON	12"
3/8"Øx4" EYE HOOK BOLT	18"
1/2"Øx4" EYE HOOK BOLT	24"

SIDE ANCHORS: (CONDITION 2)	
ANCHOR TYPE	ANCHOR SPACING
1/4"Ø MALE PANELMATE	4"
1/4"Ø FEMALE PANELMATE	4"
1/4"Ø TAPCON	4"
3/8"Øx3" EYE HOOK BOLT	8"
3/8"Øx4" EYE HOOK BOLT	8"
1/2"Øx4" EYE HOOK BOLT	16"



**SINGLE PANEL 3 SIDE GROMMET INSTALLATION DETAIL**

MAXIMUM ANCHORS SPACING SHOWN ON THIS SHEET IS VALID FOR 3-1/2" EDGE DISTANCE. FOR EDGE DISTANCE LESS THAN 3-1/2", REDUCE ANCHORS SPACING BY MULTIPLYING SPACING BY THE FOLLOWING FACTORS: THIS REDUCTION OF ANCHOR SPACING SHALL ONLY BE PERFORMED UP TO A MIN. REDUCED SPACING OF 3" O.C.

EDGE DIST.	3.00"	2.50"	2.00"
FACTOR	.86	.71	.50

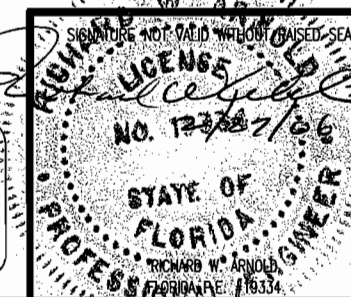
TYPICAL EDGE DISTANCE IN WOOD = 1-1/4", NO REDUCTION FACTOR IS REQUIRED

MAX. DESIGN PRESSURE = ±60.0 PSF

**GROMMET THREE SIDE ATTACHMENT INSTALLATION DETAILS**

- ANCHOR NOTES:**
- A. ALL FASTENER LENGTHS SHOWN ARE MINIMUM REQUIRED EMBEDMENT.
  - B. EMBEDMENT AND EDGE DISTANCE SHOWN ARE BEYOND THE WALL AND FLOOR COVERINGS (i.e. STUCCO, TILE, ETC.).
  - C. NO EMBEDMENT INTO STUCCO, TILE, ETC., SHALL BE CONSIDERED PART OF THE REQUIRED EMBEDMENT.

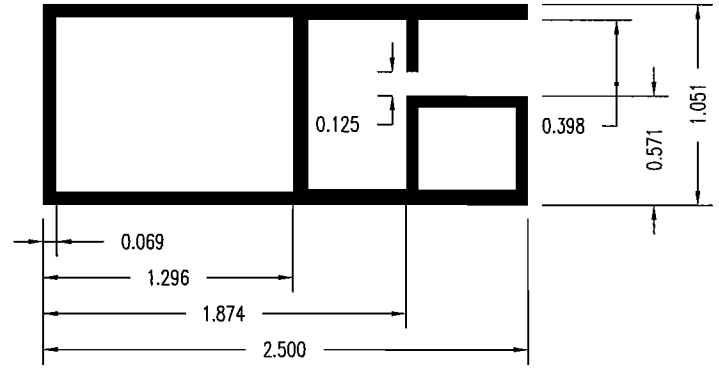
ENGINEERING REVIEW BY:  
 ARNOLD/SANDERS CONSULTING ENGINEERS, INC.  
 16681 MCGREGOR BLVD., SUITE 202  
 FORT MYERS, FL 33908  
 PHONE: (239) 267-3666



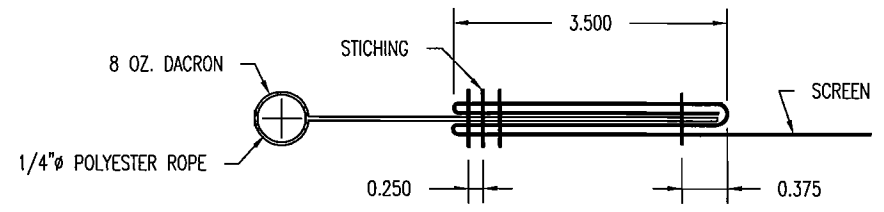
**Storm Catcher Wind Abatement Screen System**

STORM CATCHER, INC. 6213 IDLEWILD STREET, FORT MYERS, FL 33912 (239) 938-2760 <a href="http://www.stormcatcher.net">http://www.stormcatcher.net</a>			JN: 4731
DATE: 23 FEB. 2006	DRAWING: SC 02-06	REV.:	
SCALE: NOT TO SCALE	SHEET: 7 OF 8		

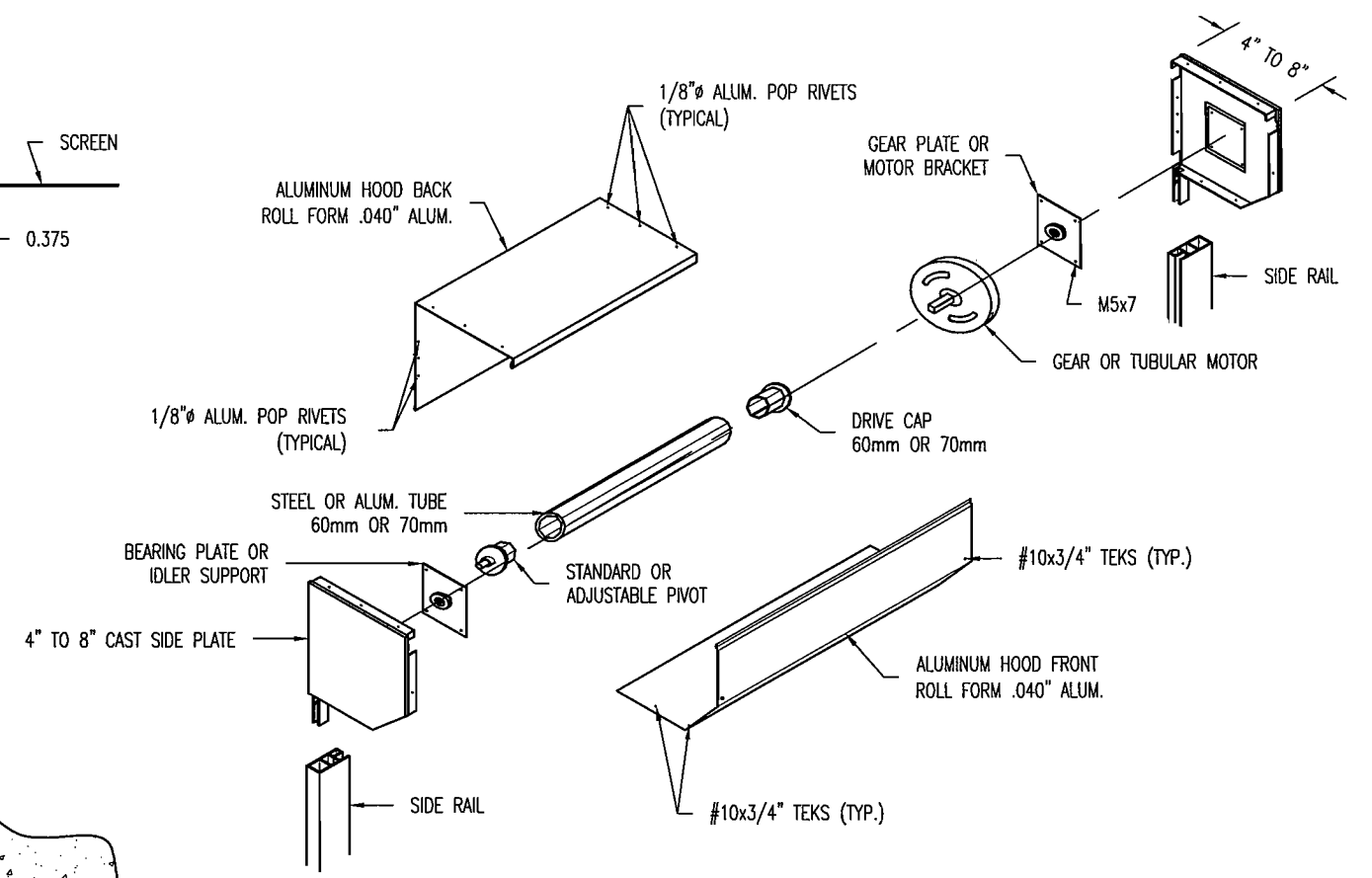
REVISION	BY	REVISION DESCRIPTION	DATE



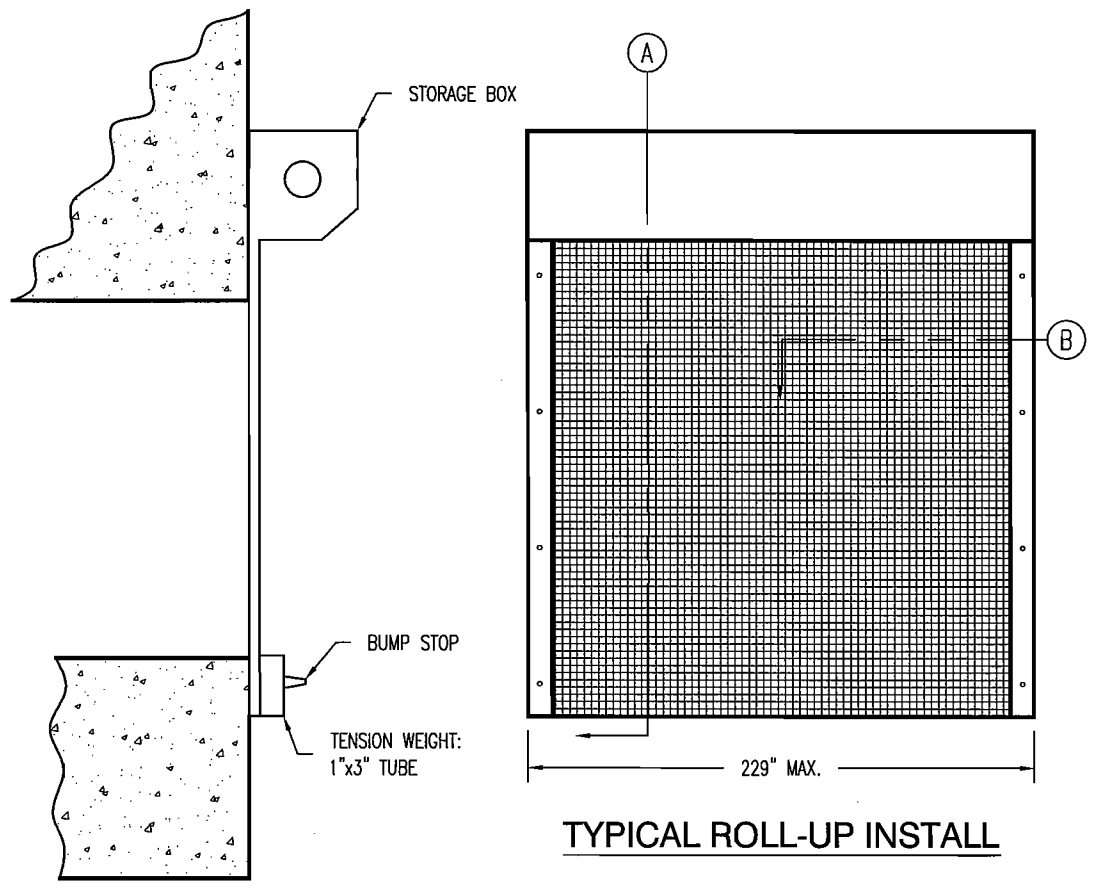
**6063-T6 ALUMINUM SIDE RAIL**



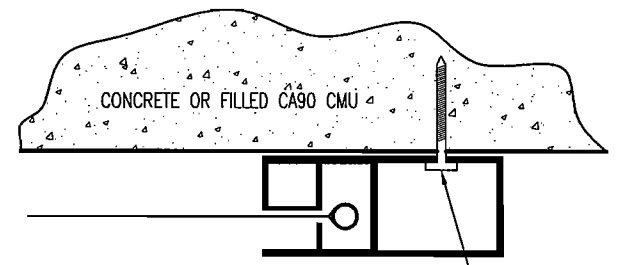
**STITCHING DETAIL**



**END CAP SYSTEM STORAGE BOX ASSEMBLY DETAIL**



**TYPICAL ROLL-UP INSTALL**



**SECTION: B**

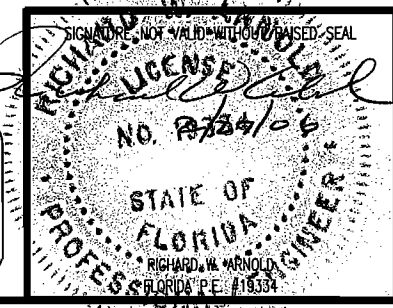
5/16" ELCO TAPCON @12" O.C. FOR SPAN UP TO 140"  
 5/16" ELCO TAPCON @6" O.C. FOR SPAN UP TO 229"  
 MIN. EDGE DISTANCE = 3"  
 MIN. EMBEDMENT = 2"

MAX. DESIGN PRESSURE = ±60.0 PSF

**ROLL-UP TWO SIDE ATTACHMENT INSTALLATION DETAILS**

**SECTION: A**

ENGINEERING REVIEW BY:  
 ARNOLD/SANDERS CONSULTING ENGINEERS, INC.  
 16681 MCGREGOR BLVD., SUITE 202  
 FORT MYERS, FL 33908  
 PHONE: (239) 267-3666



<b>Storm Catcher Wind Abatement Screen System</b>		
STORM CATCHER, INC. 6213 IDLEWILD STREET, FORT MYERS, FL 33912 (239) 938-2760 <a href="http://www.stormcatcher.net">http://www.stormcatcher.net</a>		
DATE: 23 FEB. 2006	DRAWING: SC 02-06	REV.:
SCALE: NOT TO SCALE	SHEET: 8 OF 8	

JN: 4731