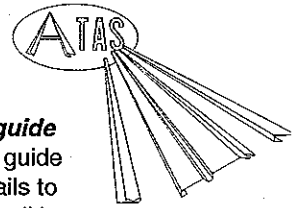
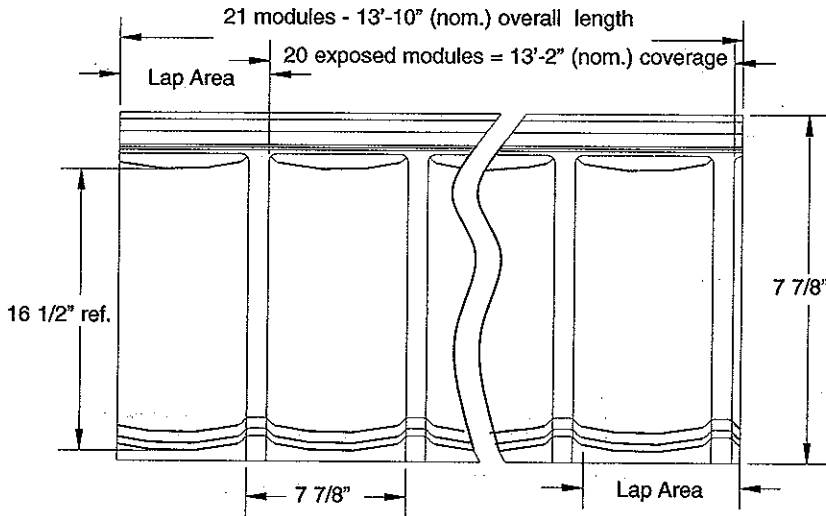


Scan Roof Installation Guide

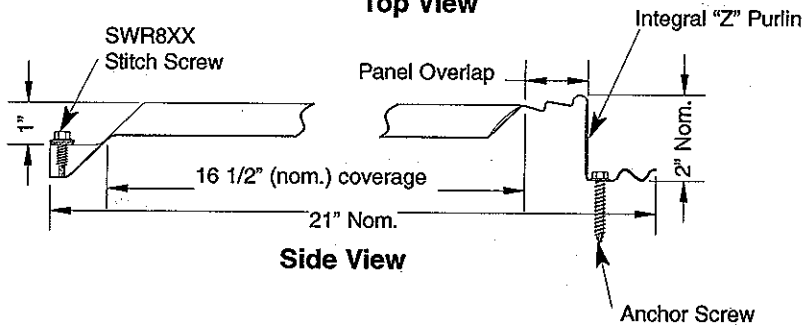


Review and understand complete guide before beginning installation. This guide has been prepared as suggested details to particular design conditions. Each condition has certain limitations to performance, aesthetics or economics. Professionals qualified to assess this information for a specific project, should determine that the selection and installation are made to their requirements. **ATAS cannot** assume any responsibility for the actual selection and/or installation of materials. The panels, flashings and trim shown in this guide are illustrated over solid and plumb substrate. It is assumed that the structure has been designed and prepared in accordance with local building codes.

SCANROOF PANEL DIMENSIONS



Top View



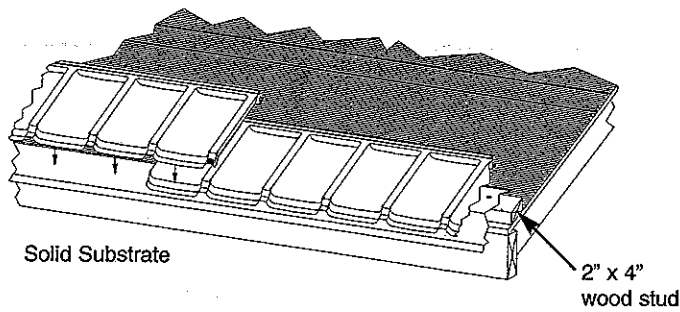
Side View

SCANROOF panels are always installed from lower right of any roof section to upper left. Each fully applied panel affords 18.1 square feet of coverage and each square (100 square feet - 5.52 panels) of SCANROOF weighs approximately 145 pounds.

Minimum roof slope - 2:12.

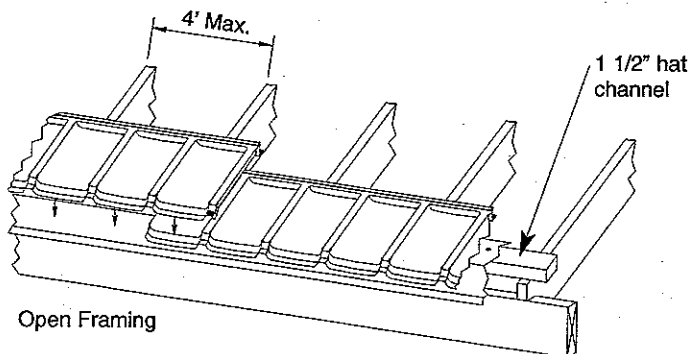
FASTENER REQUIREMENTS

- SWR8XX - 10 per panel.
- SWR9XX - 10 per number of panels for eave.
- RSS014 or RSS215 - 8 per panel.
- (Use RSS014 for attachment to metal and RSS215 for attachment to wood.)



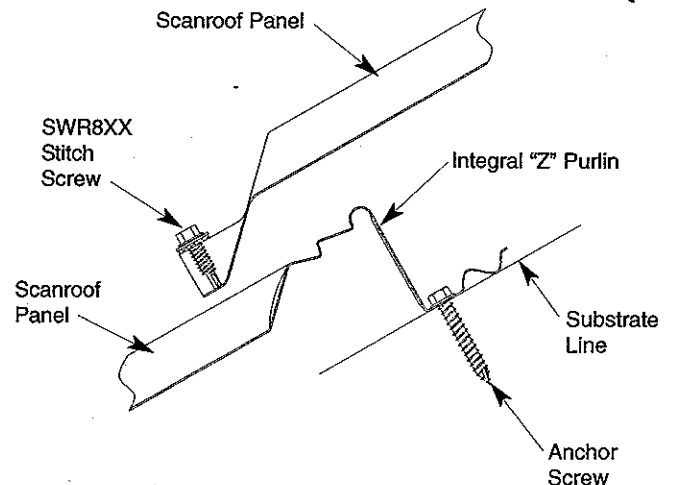
Solid Substrate

2" x 4" wood stud



Open Framing

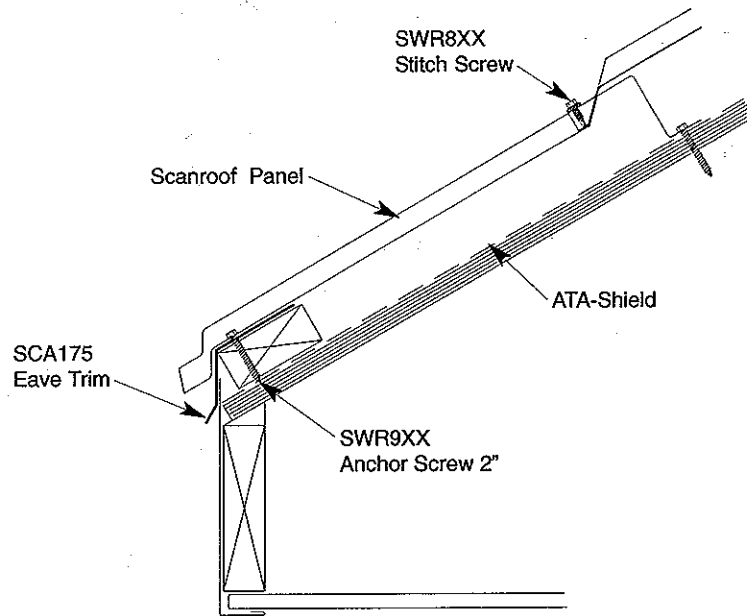
1 1/2" hat channel



HORIZONTAL LAP

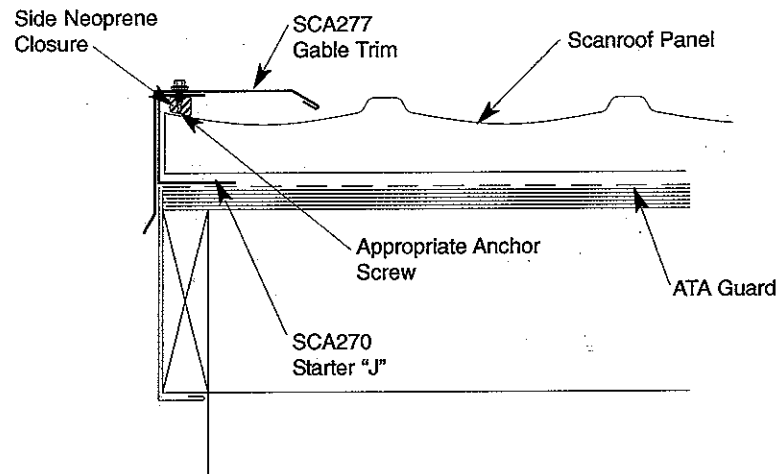
Eave Detail

1. In re-roofing applications: cut back and remove existing shingles and drip edge to be flush with the eave and gable lines, or as required to install underlayment.
2. In all applications: apply ATA-Shield** along eave and up the roof to a point at least 24" beyond outside face of exterior wall.
3. Install 1 1/2" blocking along eave edge.
4. Install drip edge on top of blocking and against fascia trim. Space fasteners at a maximum of 12" o.c. Overlap drip edge a minimum of 2".
5. Install panel at eave. Fasten through purlin and wood blocking with anchor screws .



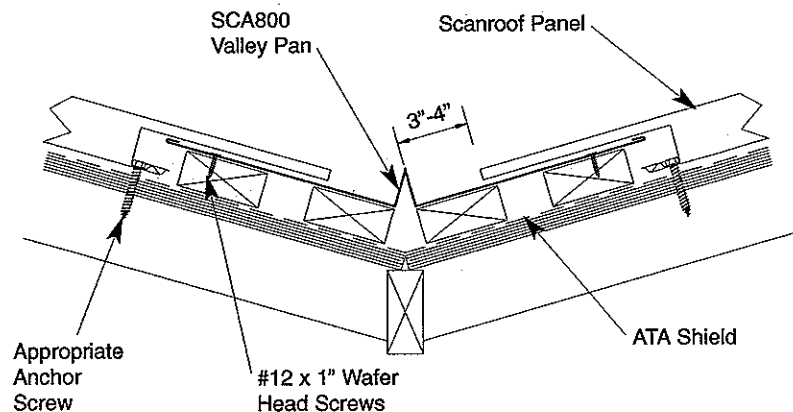
Gable Detail

1. Install Starter "J" at gable end. Fasten at 12" o.c.
2. Place panel into Starter "J".
3. Seal Side Neoprene Closure between panel and Starter "J".
4. Using stitch screws, fasten Gable Trim to top of Starter "J" at 24" o.c.



Valley Detail

1. Install ATA-Shield** 18" up both side of the valley line.
2. Install 1 1/2" blocking at valley as shown.
3. Fasten valley to blocking using wafer head screws.
4. Cut panel to size and angle. Remove purlins to allow panel to overlap the valley pan 8".



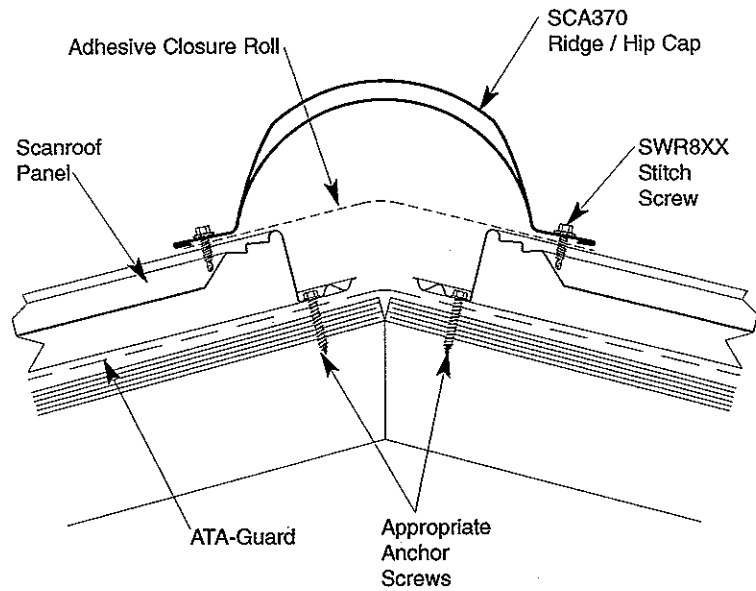
Underlayments: ATA-Guard* is a polyolefin based, 100% asphalt free, high strength reinforced roofing underlayment for use beneath metal roofing on steep slope applications. 1000 sq. ft. per roll at 48" wide.

Underlayments: ATA-Shield** is the recommended self adhesive underlayment for eaves, sidewall and any critical areas exposed to ice damming and extensive water run off. Available in 65'-8" x 39-3/8" rolls (200 sq. ft. per roll).

Hip & Ridge Detail

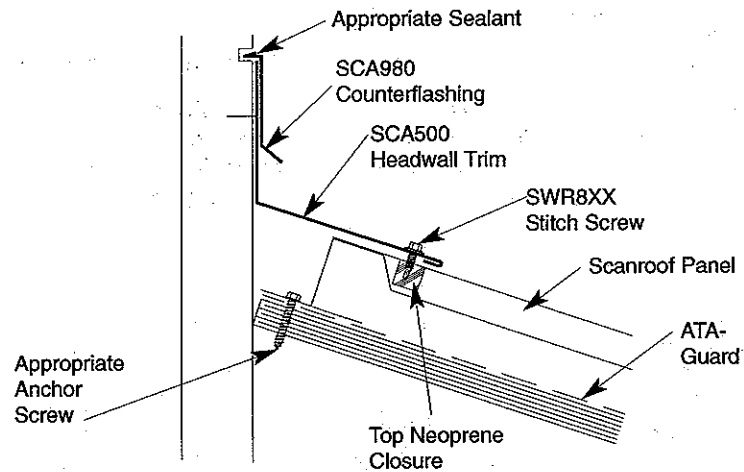
Hip and ridge applications are handled in the same manner.

1. Install appropriate underlayment over the hip/ridge line.
2. Install panel to peak. Lap as required to allow proper fastening of "Z" Purlin at top of panel.
3. Seal panels at peak using Adhesive Closure Roll between panels.
4. Attach Ridge / Hip Cap to panels with stitch screws at 24" o.c.. Fasten each side of ridge.



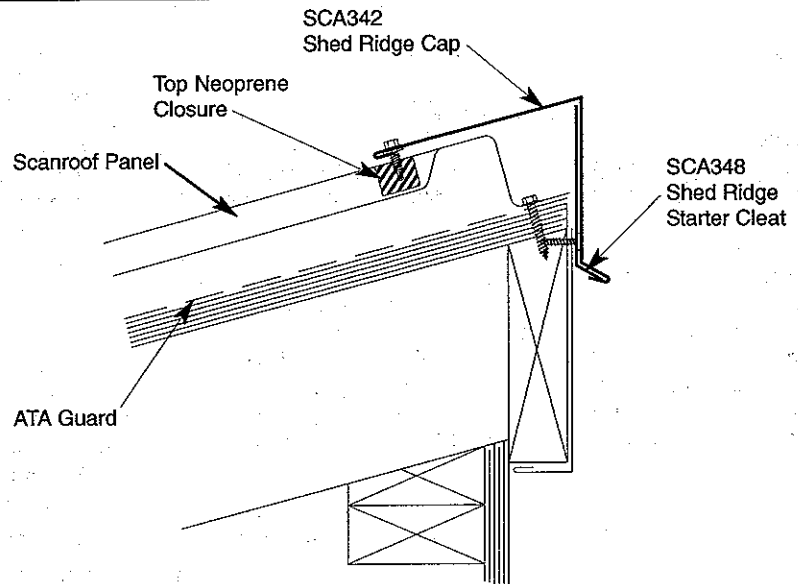
Headwall Detail

1. Install panels to peak. Lap as required to allow proper fastening of "Z" Purlin at top panel.
2. Seal top neoprene closure to panel. Be sure headwall trim will cover neoprene.
3. Place headwall trim to wall. Stitch fasten to top of panel at 24" o.c.
4. Install counter flashing into reglet over headwall transition. Seal into reglet with appropriate sealant or place wall treatment over headwall trim.

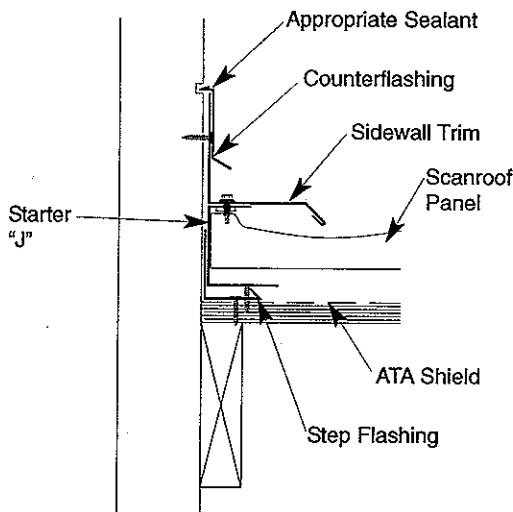


Shed Ridge Detail

1. Install panels to peak. Lap as required to allow proper fastening of "Z" Purlin at top panel.
2. Seal top neoprene closure to panel. Be sure shed ridge cap will cover neoprene.
3. Fasten Starter Cleat at peak. Fastener spacing to be 12" o.c.
4. Place shed ridge cap to wall. Stitch fasten to top of panel at 24" o.c.



Sidewall Detail



1. Install ATA-Shield™ (ice and water shield) along roof plane and up sidewall.
2. Install a 2 x 4 flat on roof plane and tight against entire length of sidewall.
3. Cut panel to desired length leaving 1/4" to 1/2" space away from sidewall to allow for thermal expansion.
4. Next, the built-in purlin must be notched 1-1/2" in height and 3-1/2" in length in order for the top surface of the panel to rest on top of the 2 x 4.
5. Install step flashing to each panel tight against sidewall and on top of 2 x 4 making sure step flashing is on top of lower panel for proper draining.

Note Regarding Trim Details

The application of flashing and trim requires a detailed approach. Consideration should be given to the roof's geometry and course it creates for water run-off. Location of gutters and the use of snow retention systems should also be considered. Proper planning regarding the sequence of material overlap is critical. Sealants, such as butyl tapes and tripolymers, should be used at overlapping trim edges, in conjunction with exposed fasteners, and to seal flashings. All fasteners should be properly tightened and not over-driven at an angle. Fasteners that are too loose can "back out" over time. An overdriven fastener may cause a depression in the material, which becomes a collection point for standing water.

Pipe Detail

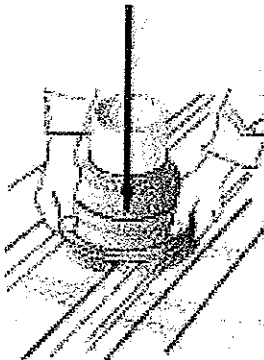
Step 1

Cut on the proper pipe diameter marked on the flashing.



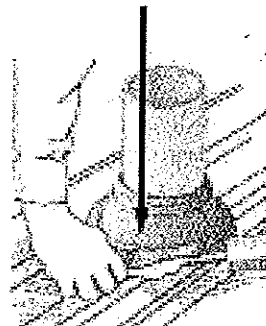
Step 2

Position over pipe and slide down the pipe.



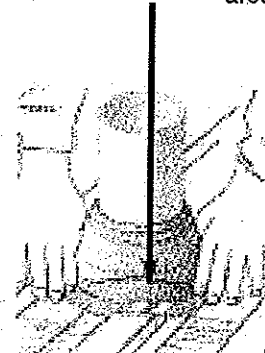
Step 3

Apply polyurethane sealant to the bottom of the base.



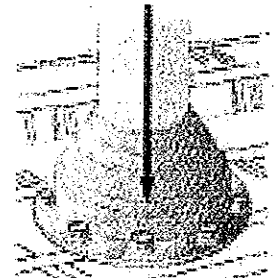
Step 4

Mold the flexible base to the panel contours.



Step 5

Fasten with 1/4" x 1-1/8" drilling fastener every 1-1/2" around the base.



Pipe drawings provided by Triangle Fasteners

Tools and Rules:

Basic Equipment Required:

Tie-off ropes, safety harness, long level, ladders, scaffolding with approved planking, extension cords with approved ground plugs and services.

Additional Tools:

Metal folding tool, hammer, chalk line, measuring tape, metal cutting tools - nibblers, drills, hacksaw, utility knife, pop-rivet gun, caulking guns, layout and combination square, C clamps, sheet metal shears (including RH, LH, straight and overhand). Power driven screw gun with proper bits, depth-setting nosepiece, variable speed.

Choose the correct equipment and tools to do the job in a safe manner. Wear safety gear and follow OSHA requirements.

Follow these simple rules:

1. Never cut the panels with an abrasive cut-off wheel or torch, as this will damage the finish.
2. Do not weld the trim or panels.
3. Remove any small burrs left by cutting, screwing or drilling.
4. Remove protective masking immediately after trim is installed.
5. Caution should be taken when unloading the panels to prevent damage.
6. Use appropriate screws for the type of underlayment and long enough to fully penetrate and secure the panel.
7. The stored materials should be kept dry.
8. Do not cut on finished roof. Remove all drill spirals, chips and dust immediately.
9. Seal neoprene closures and soft cell foam by applying appropriate sealant to both surfaces.
10. Put appropriate sealant/butyl tape between overlapping trims.
11. Overlap trims in a manner not to impede the flow of water.

For further information or assistance, contact our Residential Product Support at 877-286-3320