



Eco-Smart, Inc.

Storm Catcher

Tropical Storm Screen Wind Abatement System



Storm Catcher

Testing Information, Installation, and Care

General Notes

1. This storm panel system has been tested and evaluated as a large missile impact protective system in accordance with the 2001 Florida Building Code and the 2000 International building code, including TAS 201, TAS202, and TAS203. Not for use in HVHZ.
2. No 33-1/3% increase in allowable stress has been used in the design of this product.
3. Positive and negative design pressures to be used with these drawings shall be determined by others for specific jobs in accordance with the directionality factor KD +/- 0.85 is allowed.
4. The shutter system detailed here is generic and does not provide information for a specific site. If site conditions deviate from the conditions detailed herein, a licensed engineer or registered architect shall prepare site specific documents to be used in conjunction with this document.
5. Permit holders shall verify the adequacy of the existing structure to withstand the superimposed loads.
6. Panels may be mounted horizontally where applicable (IE, with anchors only on both sides of opening.)
7. All bolts and washers shall be zinc coated, galvanized or stainless steel with a minimum tensile strength of 60 KGL.
8. All acceptance criteria have been met for this shutter as a non-porous system as defined in ASTM E1996. In keeping with this standard, no minimum separation from the glazing being protected is required, and breaking of this glazing does not compromise the building envelope.
9. All penetrations in structure to be treated with waterproof sealant.

MAXIMUM DESIGN PRESSURE: +/- 60 PSF

Cleaning

If cleaning becomes necessary, use a mild household detergent and a garden hose.

Note:

Products left exposed to direct sunlight for an extended period of time, may experience a decrease in life expectancy. This product is best used if employed during storm watches and warnings.

TABLE OF CONTENTS

1. General Notes, cleaning notes
2. Construction details, generic elevation
3. Screen Application 1, 2, & 3
4. Screen Application Details
5. Eye Bolt Application Details



5656 Lawton Drive JOHN KAMPHANN, PE
Sarasota, Florida 34231 REG. # 47516
(941) 922-3854 DATE: 10/30/03

Storm Catcher

Tropical Storm Screen Wind Abatement System

Eco-Smart, Inc.

(888) 329-2705

www.ecosmartinc.com

Eco-Smart, Inc. - Storm Catcher - Tropical Storm Screen Wind Abatement System

Product

Hurricane wind abatement canvas system

Description of Unit

Model Designation: Style 20458

Overall Size: 194" Width x 108" Height

(Test sample rotated by 90 degrees)

Configuration: D

No. and Size of Vents: (1)

Fabric Material

Manufacturer: Synthetic Industries

Construction: ASTM D3775 55x44 Threads
PI

Yarn Size & Type: ASTM D1907 Warp 12
MIL Monofil PP MILs

FIL 12 MIL Monofil PP MILs

Weave: Visual 3/4 Basket

Weight: ASTM D5261 8.0 oz/sq. yd.

Grab Tensild: ASTM D4632 Warp 460 LB.

FIL 360 LB.

Sewing

0.21" Wide @ 7/16" Zigzag periods of

0/032" dia Nylon String.

Edges

3-1/4" Quad folded located at the whole perimeter of the samples.

The edge was sewn with four continuous sewings @ 0.92 O.C. The outermost row was doubled.

Seatbelt Material

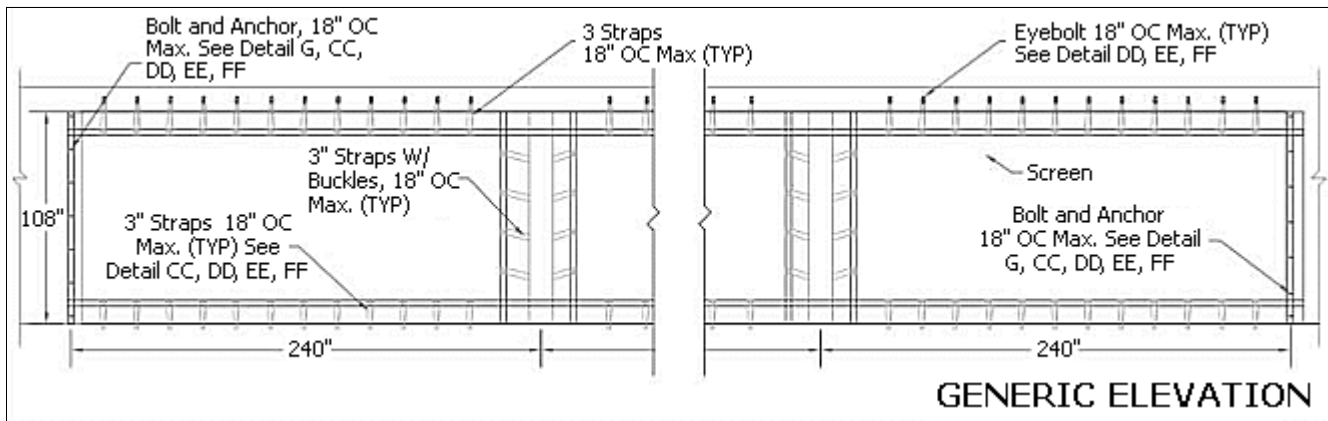
The Nylon webbing consisted of a Seatbelt 2" wide x 0/067" thick, Black, Type 24 MIL-W-4088. Class 1A, 4 BAR, 5500 LB.

Loop

24" Long (Left side) was spread 5" OC on the material and located 15" OC + 2". The Seatbelts were embedded 3" into the edges and sewn with a 2" x 3" Bow Shape Tripled.

Straps

16" long loop and 34" straight (right side). Loop was spread 1-1/2" OC on the material and straight belt located @ 18"OC +/-2". The belts were embedded 3" into the edges and sewn with tripled sewing in a 2"x3" bow shape.



Storm Catcher

Tropical Storm Screen Wind Abatement System

Eco-Smart, Inc.

(888) 329-2705

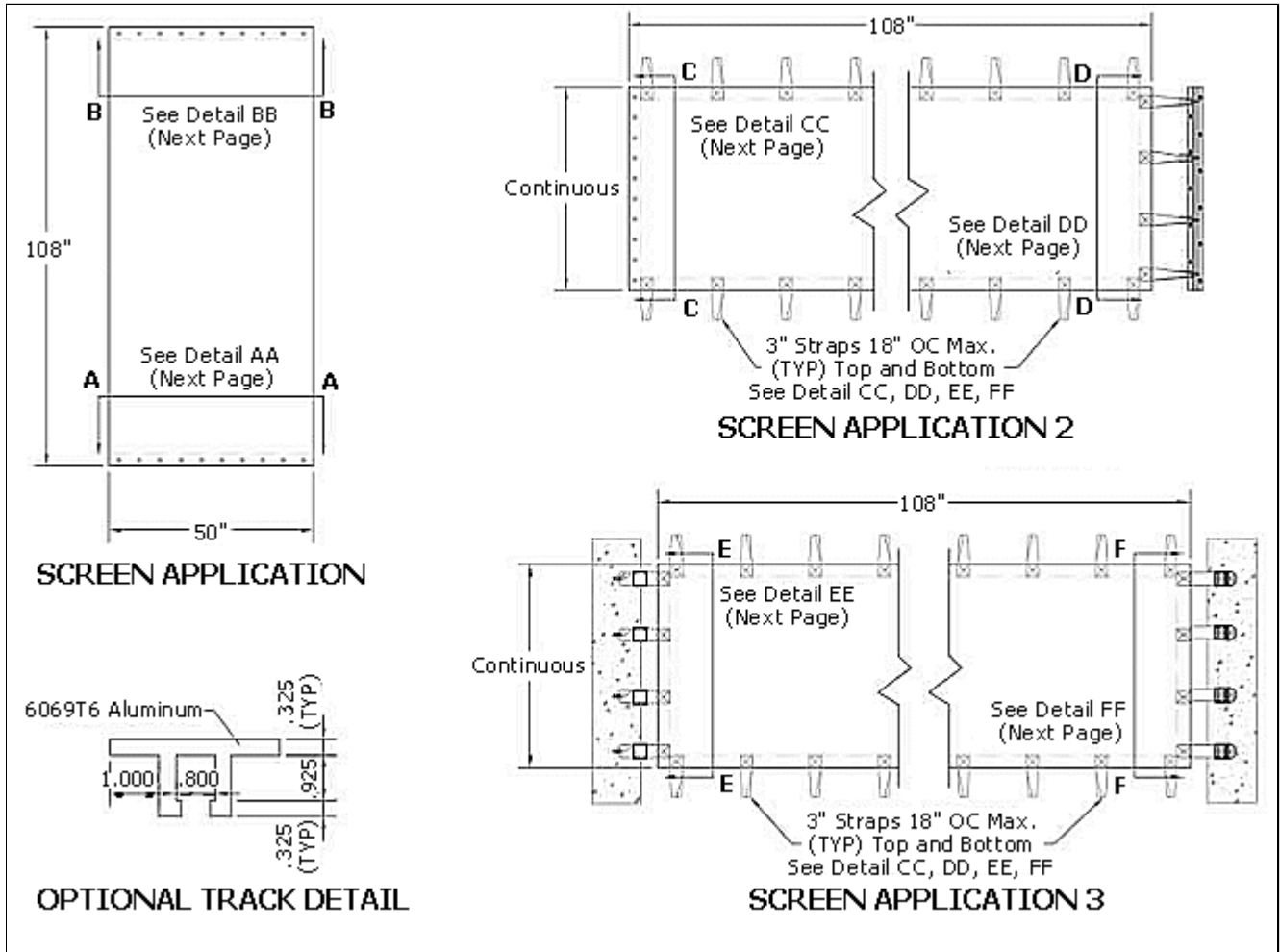
www.ecosmartinc.com



5656 Lawton Drive JOHN KAMPFMAN, PE
Sarasota, Florida 34231 REG. #: 47516
(941) 922-3854 DATE: 10/30/03

Eco-Smart, Inc. - Storm Catcher - Tropical Storm Screen Wind Abatement System

Screen Application

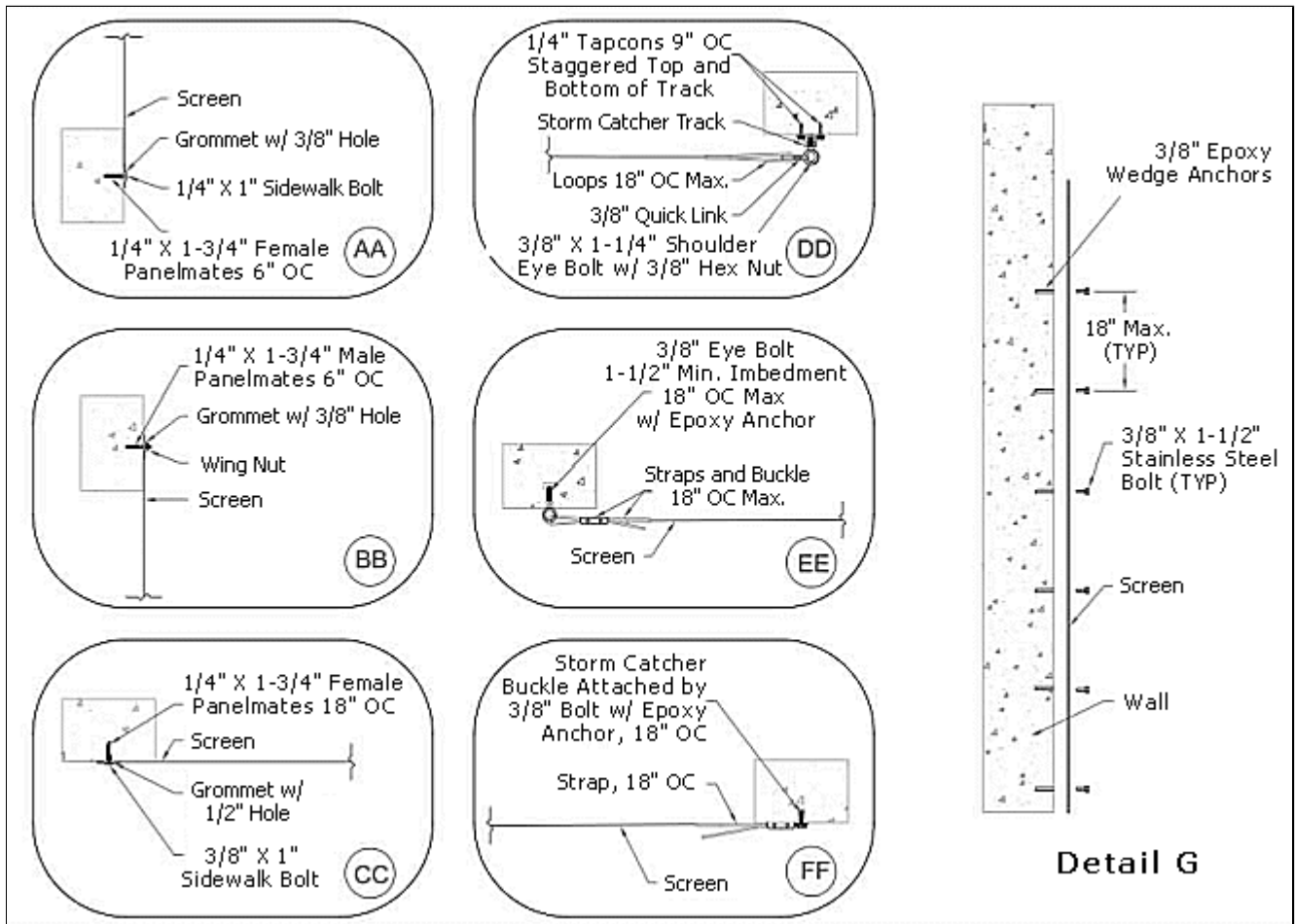


Storm Catcher
 Tropical Storm Screen Wind Abatement System
Eco-Smart, Inc.
 (888) 329-2705
 www.ecosmartinc.com

ME
 ENGINEERS, INC.
 5656 Lawton Drive JOHN KAMPMANN, PE
 Sarasota, Florida 34231 REG. #: 47516
 (941) 922-3854 DATE: 10/30/03

Eco-Smart, Inc. - Storm Catcher - Tropical Storm Screen Wind Abatement System

Screen Application Details

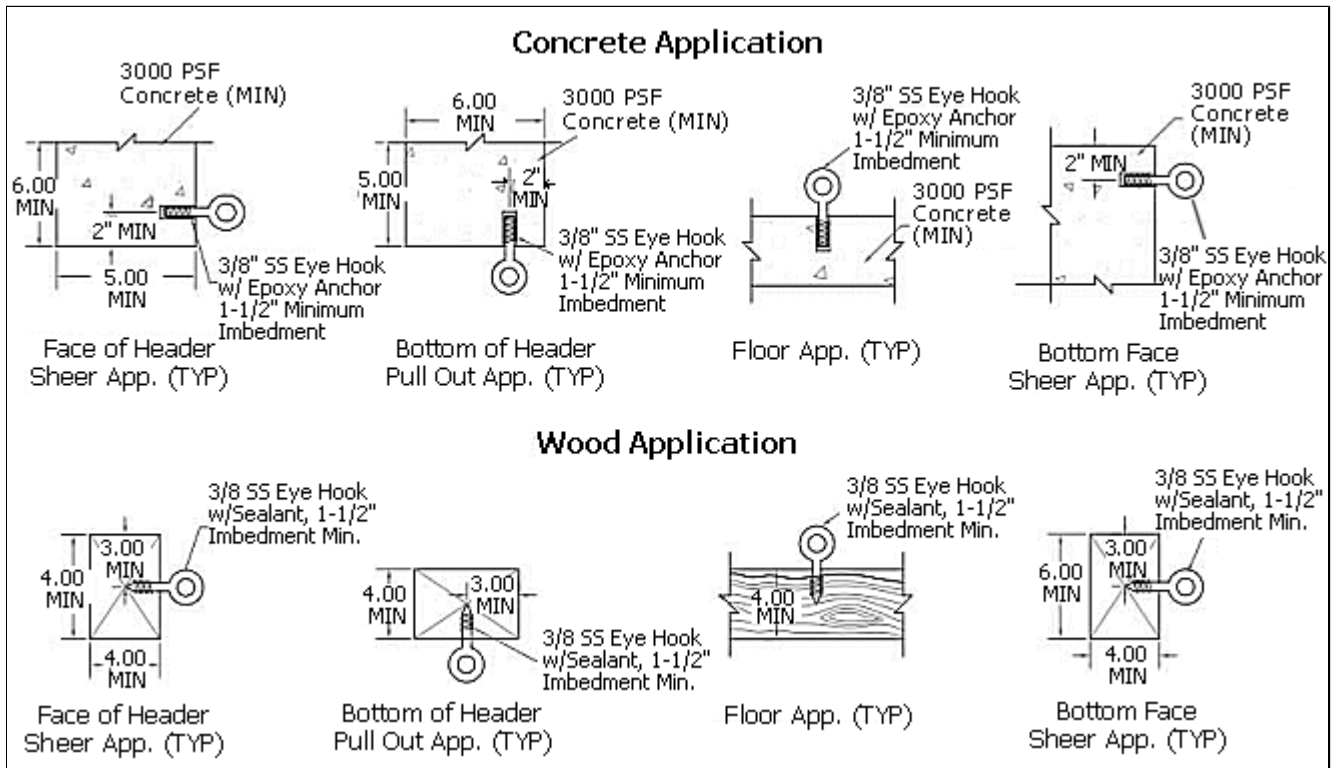


Storm Catcher
 Tropical Storm Screen Wind Abatement System
Eco-Smart, Inc.
 (888) 329-2705
 www.ecosmartinc.com

ME
 ENGINEERS, INC.
 5656 Lawton Drive JOHN KAMPMANN, PE
 Sarasota, Florida 34231 REG. # 47516
 (941) 922-3854 DATE: 10/30/03

Eco-Smart, Inc. - Storm Catcher - Tropical Storm Screen Wind Abatement System

Eye Bolt Application Details



Storm Catcher
 Tropical Storm Screen Wind Abatement System
Eco-Smart, Inc.
 (888) 329-2705
 www.ecosmartinc.com

ME
 ENGINEERS, INC.
 5656 Lawton Drive JOHN KAMPMANN, PE
 Sarasota, Florida 34231 REG. #: 47516
 (941) 922-3854 DATE: 10/30/03