
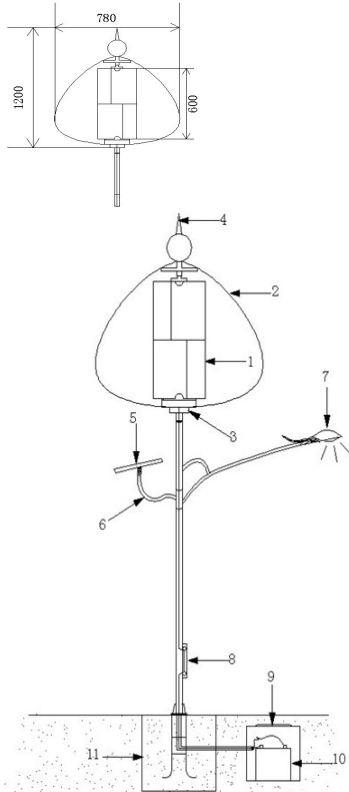
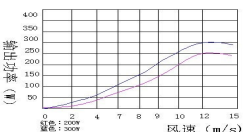

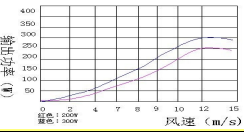
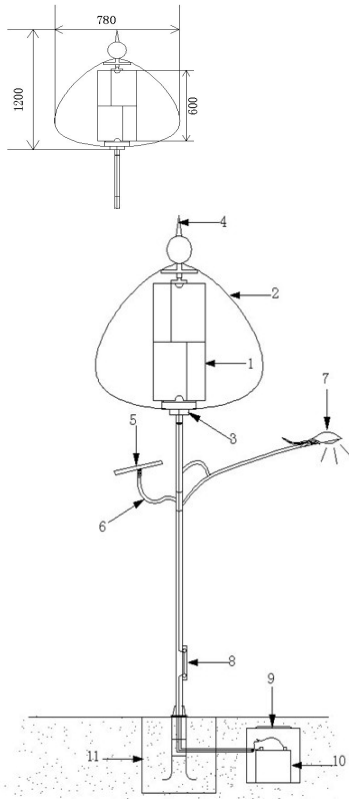


LED STREET LIGHT WITH SOLAR HYBRID WIND POWER (VAWT - S Type)					
Wind Turbine Parts	Model	SD-300W	Drawing and Remarks (mm)	Whole system construction	FOB FACTORY
	Name	S TYPE			
	Rated power	300W			
	Rated DC voltage	AC 12V or AC 24V			
	Max power	400W			
	Blade material	Aluminum alloy			
	Maximum wind speed	≤35m/s			
	Number of blade	6 pcs			
	Starting wind speed	1.50m/s			
	Cut-in wind speed	2.5m/s			
	Cut-out wind speed	15m/s			
	Security wind speed	40m/s			
	Instant Max wind speed	≤50m/s			
	Rated wind speed	12m/s			
	Over-speed wind protection	Electromagnetic brake			
	Rotor diameter	320mm			
	Working temperature	(-20 □ +85 □)			
	Working humidity	≤90%			
	Altitude available	≤4500m □ Rated Power altitude is 1000meters)			
	Life span	15 years			
	Equipment surface protection	Galvanization plastic coating			
	Installation Height(m)	3.5meters~13meters			
	Net Weight:	8.50kgs			
	Packing material	Wooden case and foam material			
packing dimension	1400*800*800mm				
G.W.	36kg				
	<b>Input Wind Speed</b>	<b>Output Power</b>			
	2.5m/s	2.25W		1) Wind Turbine Generator 300w	\$864.00
	4.0m/s	15.0W		2) Wind Controller	\$110.00
	7.0m/s	120.0W		3) Solar PV Panel 120Wp 24V	\$280.00
	8.0m/s	150.0W		4) Solar Panel support brackets	\$210.00
	9.0m/s	225.0W		5) Solar Controller	\$30.00
	10.0m/s	300.0W		6) LED Street Light 24V 60W	\$378.00
	12.0m/s	375.0W		7) Lead Acid Battery 12V 100Ah x 2pcs	\$500.00
	15.0m/s	400.0W		8) Battery Casing	\$270.00
				9) Cable wires and breakers	\$110.00
				10) Concreat metal cage with screws	\$190.00
				11) Wind & solar hybrid street pole	\$640.00
					\$3,582.00
<b>Tower Parts</b>	Tower height	6m			
	Packing material	Wooden case and foam material			
	G.W.	100kg			
<b>Wind Controller</b>	Controller	12/24V 20A			
	G.W.	2.5kg			
<b>Solar PV Module</b>	Type	120Wp			
	G.W.	12.00kg			



**LED STREET LIGHT WITH SOLAR HYBRID WIND POWER (VAWT - Rainbow Type)**

Wind Turbine Parts	Model	SR-300W	Drawing and Remarks (mm)	Whole system construction	FOB FACTORY
 <p><b>Wind Generator Part</b> (Output Feature Chart)</p> 	Name	Rainbow			
	Rated power	300W			
	Rated DC voltage	AC 12V or AC 24V			
	Max power	400W			
	Blade material	Aluminum alloy			
	Maximum wind speed	≤35m/s			
	Number of blade	12 pcs			
	Starting wind speed	1.50m/s			
	Cut-in wind speed	2.5m/s			
	Cut-out wind speed	15m/s			
	Security wind speed	40m/s			
	Instant Max wind speed	≤50m/s			
	Rated wind speed	12m/s			
	Over-speed wind protection	Electromagnetic brake			
	Rotor diameter	320mm			
	Working temperature	(-20 □ +85 □)			
	Working humidity	≤90%			
	Altitude available	≤4500m □ Rated Power altitude is 1000meters)			
	Life span	15 years			
	Equipment surface protection	Galvanization plastic coating			
Installation Height(m)	3.5meters~13meters				
Net Weight:	9.00kgs				
Packing material	Wooden case and foam material				
packing dimension	1400*800*800mm				
G.W.	37kg				
	<b>Input Wind Speed</b>	<b>Output Power</b>			
	2.5m/s	2.25W		1) Wind Turbine Generator 300w	\$864.00
	4.0m/s	15.0W		2) Wind Controller	\$110.00
	7.0m/s	120.0W		3) Solar PV Panel 120Wp 24V	\$280.00
	8.0m/s	150.0W		4) Solar Panel support brackets	\$210.00
	9.0m/s	225.0W		5) Solar Controller	\$30.00
	10.0m/s	300.0W		6) LED Street Light 24V 60W	\$378.00
	12.0m/s	375.0W		7) Lead Acid Battery 12V 100Ah x 2pcs	\$500.00
	15.0m/s	400.0W		8) Battery Casing	\$270.00
				9) Cable wires and breakers	\$110.00
				10) Concreat metal cage with screws	\$190.00
				11) Wind & solar hybrid street pole	\$640.00
					<b>\$3,582.00</b>
<b>Tower Parts</b>	Tower height	6m			
	Packing material	Wooden case and foam material			
	G.W.	100kg			
<b>Wind Controller</b>	Controller	12/24V 20A			
	G.W.	2.5kg			
<b>Solar PV Module</b>	Type	120Wp			
	G.W.	11.00kg			

